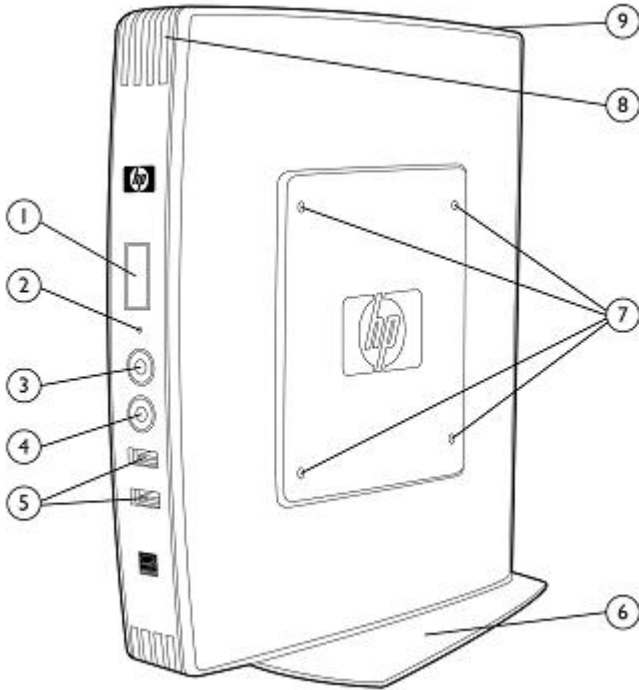
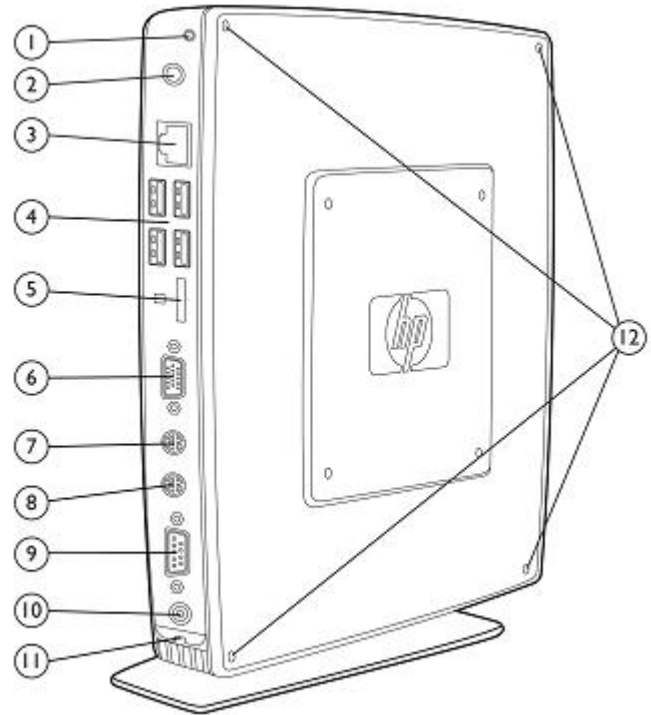


Overview



FRONT

1. Power button (with integrated power indicator light)
2. Flash drive activity indicator light
3. Audio connector (headphone/speaker out)
4. Audio connector (mic in)
5. USB connectors (two)
6. Removable stand for vertical orientation
7. Mounting points for HP Quick Release or other VESA mount
8. Secure USB compartment cover
9. Cable lock slot (secures unit and secure USB compartment)

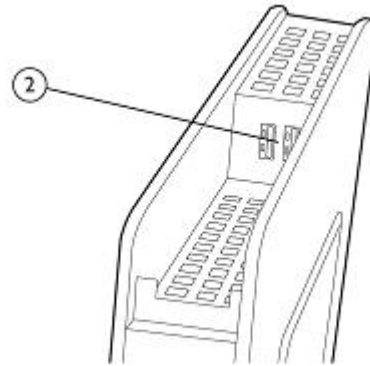
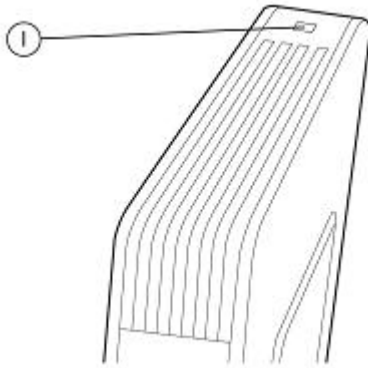


BACK

1. Cabling exit from secure USB compartment
2. WIFI antenna connector (depends on model)
3. Ethernet RJ-45 connector
4. USB connectors (four)
5. DisplayPort monitor connector
6. VGA monitor connector
7. PS/2 keyboard connector
8. PS/2 mouse connector
9. Serial connector
10. +19V DC power input
11. Power cable retention slot
12. Mounting location for four (4) horizontal mounting feet

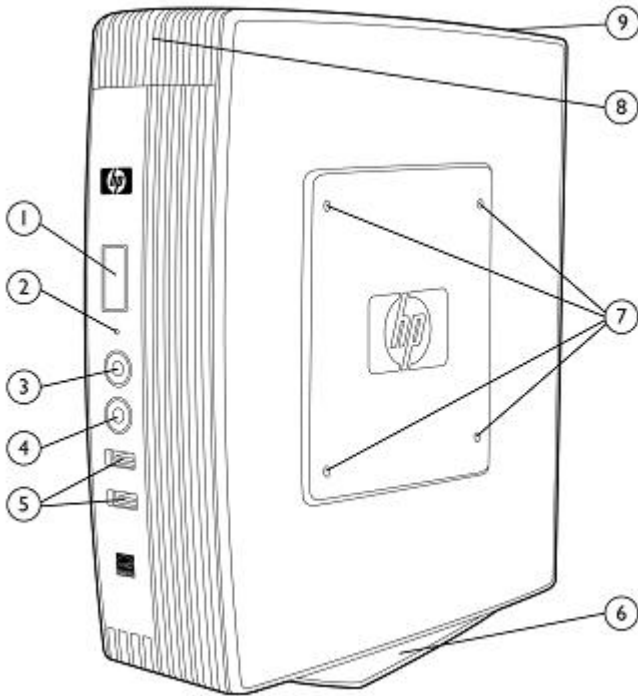
Overview

TOP



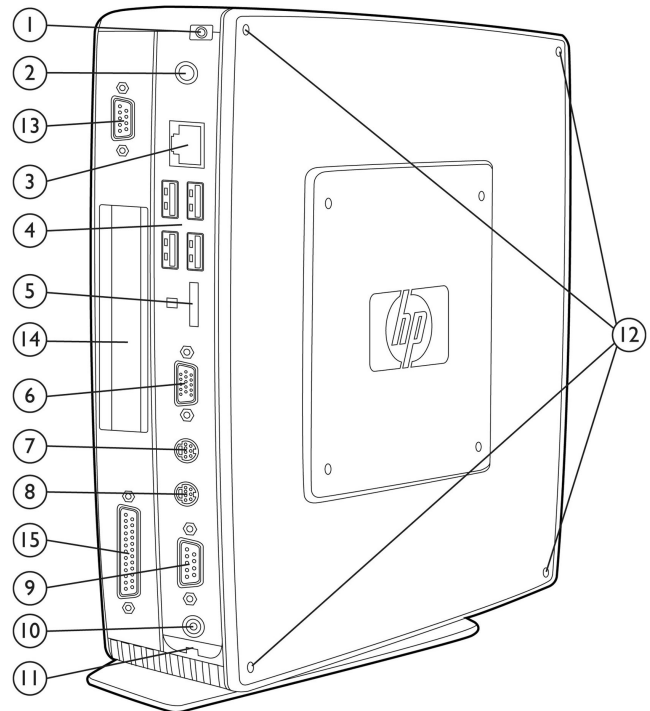
1. Cable lock slot - secures unit and secure USB compartment
2. Secure USB compartment with cover removed - 2 USB connectors

With optional HP t5740/t5745 PCIe x4/PCI Expansion Module Kit



FRONT

1. Power button (with integrated power indicator light)
2. Flash drive activity indicator light
3. Audio connector (headphone/speaker out)
4. Audio connector (mic in)
5. USB connectors (two)
6. Removable stand for vertical orientation
7. Mounting points for HP Quick Release or other VESA mount



BACK

1. Cabling exit from secure USB compartment
2. WiFi antenna connection (depends on model)
3. Ethernet RJ-45 connector
4. USB connectors (four)
5. DisplayPort monitor connector
6. VGA monitor connector
7. PS/2 keyboard connector

Overview

8. Secure USB compartment - 2 USB connectors
9. Cable lock slot (secures unit and secure USB compartment)
8. PS/2 mouse connector
9. Serial connector
10. +19V DC power input
11. Power cable retention slot
12. Mounting location for four (4) horizontal mounting feet
13. Second serial connector
14. PCIe x4/PCI expansion module slot
15. Parallel connector

At A Glance

Hardware features:

- Intel Atom N280* processor, with Intel GL40 chipset. *Intel's numbering is not a measurement of higher performance
- 4 GB flash memory provides ample storage for drivers and applications
- 2 GB DDR3/667MHz system memory (64 MB minimum reserved for graphics memory)
- Available empty DDR3 SODIMM slot (and RAM upgrade options) for dual-channel system memory expansion
NOTE: Minimum of 1GB and a maximum of 4GB* (2 X 2GB) can be supported (*Up to 1 GB may not be available with 32-bit operating systems due to system resource requirements.)
- Built in dual monitor support (VGA and DisplayPort native)
- Integrated wireless (802.11 a/b/g/n*) technology (select models). *Wireless access point and Internet required.
- Optional Expansion Module with PCIe x4/PCI slot for installing a wide range of devices (includes a parallel and second serial port)
- Optional enhanced performance technology
- Optional dual and quad digital monitor support
- Secure USB compartment is ideal for protecting USB wireless and USB Flash devices as well as for protecting USB keyboard and mouse connectors
- Additional SATA II connector for adding optional secondary solid state Flash drive
- 8 USB 2.0 ports
- Legacy support includes parallel (via Expansion Module), serial, and PS/2 connections

Software features:

- Preinstalled with new Microsoft® Windows® Embedded Standard 7 SP1 with support for Remote FX and local applications
- Excellent rich multimedia experience and enhanced USB device support in VDI environments
- Enhanced Write Filter and File-Based Write Filter provide complete flexibility to protect the entire Flash disk, or configure areas of the disk for persistent access by local applications
- Microsoft Firewall for enhanced data security
- HP TeemTalk Terminal Emulator enables connection and communication with applications on mainframes and midrange systems
- HP ThinState Tools offers in-box, easy-to-use image deployment and recovery tools
- Enterprise class HP Device Manager lets you remotely manage devices from a central location
- Support for HP Client Automation and Microsoft System Center Configuration Manager for easy management
- HP Universal Print Driver (available as an add-on) provides instant access to a range of HP print devices without downloading separate drivers. Additional information can be found at: <http://www.hp.com/go/upd>.
- Improved Quality of Experience for End User using HP Velocity
 - Available only on HP thin clients
 - HP Velocity enables IT managers to monitor network activity and optimize end-user experience
 - HP Velocity intelligently reduces network packet loss and retransmissions providing a better experience for the end user

Warranty:



Overview

HP Total Care Warranty and Services: limited three-year hardware warranty in most regions. HP Care Pack Services extend service contracts beyond your standard warranties. For more details visit: <http://www.hp.com/go/lookuptool>.

Standard Features - Models

Models without integrated WIFI adapter

<u>Worldwide</u> XL424AA	Processor	Intel Atom N280 (1.66 GHz) NOTE: Intel's numbering is not a measurement of higher performance.
<u>Americas and EMEA</u> XL424AT (Smart Buy/Top Value)	Chipset	Intel GL40
	Operating System	Microsoft Windows Embedded Standard 7
	Flash Memory	4 GB
	Memory	2 GB DDR3 (1 x 2 GB SODIMM) NOTE: 64 MB minimum reserved for graphics memory
<u>US only</u> XL426AA ¹	Graphics	Intel GL40 graphics
	Keyboard	USB or PS/2 (varies by region)
	Mouse	USB or PS/2 (varies by region)

¹ Product complies with U.S. Trade Agreement (TAA). Available in U.S. only.

Models with integrated WIFI adapter

<u>Worldwide:</u> XL425AA	Processor	Intel Atom N280 (1.66 GHz) NOTE: Intel's numbering is not a measurement of higher performance.
<u>Americas and EMEA:</u> XL425AT (Smart Buy/Top Value)	Chipset	Intel GL40
	Operating System	Microsoft Windows Embedded Standard 7
	Flash Memory	4 GB
	Memory	2 GB DDR3 (1 x 2 GB SODIMM) NOTE: 64 MB minimum reserved for graphics memory
<u>US only:</u> XL427AA ¹	Graphics	Intel GL40 graphics
	Integrated Wireless²	Atheros 802.11 a/b/g/n Wi-Fi adapter
	Keyboard	USB or PS/2 (varies by region)
	Mouse	USB or PS/2 (varies by region)

¹ Product complies with U.S. Trade Agreement (TAA). Available in U.S. only.
² A standard WLAN (Wi-Fi) infrastructure with wireless access points is required and is not included.

Standard Features - Models

Models with enhanced performance technology

Processor	Intel Atom N280 (1.66 GHz) NOTE: Intel's numbering is not a measurement of higher performance.
Chipset	Intel GL40
Operating System	Microsoft Windows Embedded Standard 7 preinstalled
Flash memory	4 GB
Memory	2 GB DDR3 SODIMM (1 x 2 GB SODIMM) NOTE: 64 MB minimum reserved for graphics memory
Graphics	Varies by model (see below)
Integrated Wireless	Not available for models shipping with the Broadcom Crystal HD Decoder
Keyboard	USB or PS/2 (varies by region)
Mouse	USB or PS/2 (varies by region)

H0E51AA	t5740e with Broadcom Crystal HD Decoder	available in Americas & APJ not available in EMEA
H0E50AA	t5740e with Expansion Module, Broadcom Crystal HD Decoder, and AMD FirePro™ 2270 Multi-View Professional Graphics dual-head graphics card NOTE: t5740e on-board GL40 graphics and respective DisplayPort and VGA ports are disabled in this configuration	available in Americas & APJ not available in EMEA
H0E49AA	t5740e with Expansion Module, Broadcom Crystal HD Decoder, and AMD FirePro™ 2460 Multi-View Professional Graphics quad-head graphics card NOTE: t5740e on-board GL40 graphics and respective DisplayPort and VGA ports are disabled in this configuration	available in Americas & APJ not available in EMEA
A1U70AA	t5740e with Expansion Module and AMD FirePro™ 2270 dual-head graphics card NOTE: t5740e on-board GL40 graphics and respective DisplayPort and VGA ports are disabled in this configuration	available in EMEA not available in Americas & APJ
A1U69AA	t5740e with Expansion Module and AMD FirePro™ 2460 quad-head graphics card NOTE: t5740e on-board GL40 graphics and respective DisplayPort and VGA ports are disabled in this configuration	available in EMEA not available in Americas & APJ

Technical Specifications

OPERATING SYSTEM

Microsoft® Windows® Embedded Standard 7
Service Pack 1
With support for Remote FX and local applications

PROCESSOR / CHIPSET

Intel Atom N280 (1.66 GHz)
Intel GL40
NOTE: Intel's numbering is not a measurement of higher performance.

MEMORY

Flash memory	4 GB (for boot drive)
System memory	2 GB DDR3
Maximum system memory	8 GB DDR3
Memory slots	2 SODIMM

GRAPHICS

Intel GL40 graphics with support for two high-resolution monitors up to 2048 x 1536, or up to 32 bit color depth

Mode	Color depth	Refresh rate (Hz)
640 x 480	8/16/32bit	60, 70, 75, 85
800 x 600	8/16/32bit	60, 75, 85
1024 x 768	8/16/32bit	60, 70, 75, 85
1280 x 720	8/16/32bit	60, 75, 85
1280 x 768	8/16/32bit	60, 75, 85
1280 x 1024	8/16/32bit	60, 75, 85
1400 x 1050	8/16/32bit	60, 75, 85
1440 x 900	8/16/32bit	60, 75, 85
1600 x 1200	8/16/32bit	60, 75, 85
1680 x 1050	8/16/32bit	60
1920 x 1080	8/16/32bit	60, 75, 85
1920 x 1200	8/16/32bit	60, 75
2048 x 1536	8/16/32bit	60

NOTE: This table represents a sample of possible modes that this controller is capable of displaying but various factors such as the capability and EDID information returned by the attached monitor, the interface used (D-SUB/DisplayPort or optional DVI-D with dongle), and dual monitor mode may limit the availability of modes, color depth, and/or refresh rate.

NOTE: HP t5740e does not support touch capabilities as the Microsoft Windows Embedded 7E sku does not support Windows Touch functionality.

Technical Specifications

INPUT/OUTPUT (peripheral support)

Keyboard	USB or PS/2 (varies by region)
Mouse	USB or PS/2 (varies by region)
Printer	Local and/or network printers (RDP, ICA, LPD)
Video	Intel GL40 graphics

AUDIO

Output	Internal amplified speaker 1/8-inch mini-jack Full 16-bit stereo 44-kHz sample rate.
Input	1/8-inch mini-jack microphone

HARDWARE SECURITY

Security lock slot (cable lock sold separately)
Secure USB compartment with 2 USB 2.0 ports

NETWORKING

10/100/1000 Gigabit Ethernet (RJ-45)
TCP/IP with DNS and DHCP
Point-to-Point Protocol (PPP)
Direct Connection through RS-232
Point-to-Point over Ethernet (PPPoE)
Point-to-Point Tunneling Protocol (PPTP)
Layer-2 Tunneling Protocol (L2TP)
Wake on LAN (WOL)
PXE
Server Network Time Protocol (SNTP)

WIRELESS LAN (select models)

Adapter	Atheros 802.11a/b/g/n WIFI Adapter
Form Factor	PCI-Express Half Mini Card
Security⁷	Supports 64- and 128-bit WEP, WPA, WPA2, AES, TKIP, 802.1x authentication types EAP-TLS, EAP-TTLS, EAP-PEAP, EAP-FAST, LEAP.

Technical Specifications

I/O PORTS & CONNECTORS

- 8 USB 2.0 (two in front, four in rear, two in secure USB compartment)
- 1 VGA
- 1 DisplayPort
- 2 PS/2
- 1 serial
- 1 RJ-45
- 1 optional Expansion Module with x4 PCIe or PCI slot (also includes 1 parallel and second serial port)

ENHANCED PERFORMANCE TECHNOLOGY

Broadcom Crystal HD Video Accelerator

- Factory Installed Option
- Single-Chip High Definition Advanced Media Processor
- Half-height mini-PCIe HD multimedia decoder (displaces mini PCIe WIFI adapter)
- Multi-standard high definition video decoding in the following formats:
 - H.264/AVC HP at L 4.1 1080p/1080i, 40 Mbps
 - SMPTE VC-1 AP at L 3 1080p/1080i, 40 Mbps
 - WMV9 (VC-1 SP and MP)
 - MPEG-2 MP @ ML and MP @ HL

AMD FirePro™ 2270 Multi- View Professional Graphics dual-head graphics card

- Factory Installed Option
- Requires Expansion Module
- 512MB memory
- PCIe 2.1, x1
- DMS-59 (supports dual VGA, dual DVI-I, and dual DisplayPort; ships with 1x dual DVI-I dongle)
- Maximum resolution
 - DisplayPort: 2560x1600
 - DVI/VGA: 1920x1200
- OpenGL 4.1
- DirectX 11

AMD FirePro™ 2460 Multi- View Professional Graphics quad-head graphics card

- Factory Installed Option
- Requires Expansion Module
- 512MB memory
- PCIe 2.1, x1
- 4x mini-DisplayPort (ships with 4x mini-DP to DVI-D dongles)
 - DVI quad output is divided into two pairs (displays 1 and 2, and displays 3 and 4)
 - The displays in each pair must be identical (with the same manufacturer and model number) and must be identically configured (with the same resolution)
 - The pairs do not have to be identical to each other
- Maximum resolution
 - DisplayPort: 2560x1600
 - DVI/VGA: 1920x1200
- OpenGL 4.1
- DirectX 11

NOTE: Use of the AMD FirePro™ 2270 or 2460 graphics cards disables the GL40 graphics native to the t5740e motherboard and respective DisplayPort and VGA ports.

Technical Specifications

SERVER OS COMPATIBILITY/SUPPORT

Citrix XenApp 5 and 6
Citrix XenDesktop 3 and 4
Citrix Presentation Server 4.0
Windows Server 2008 Terminal Services
Windows 2000/2003 Server families, Windows 2000/2003 Server Terminal Services
VMware Virtual Desktop Infrastructure using RDP

SOFTWARE

Operating System	Microsoft Windows Embedded Standard 7 SP1 (preinstalled)
Protocols (Client Virtualization)	Microsoft RDP 7.1 w/RFX Citrix ICA / HDX VMware Horizon View through PCoIP or RDP HP RGS (Remote Graphics Software)
Protocol Clients	Citrix Receiver 3/Online Plug-in 13 VMware Horizon View 4.6 HP TeemTalk Terminal Emulator 7 HP RGS Receiver 5.4
Browser supported	Microsoft Internet Explorer 8
Security	Enhanced Write Filter and File-Based Write Filter Microsoft Firewall LogOn Manager (password logon)
Session brokers	Citrix Desktop Delivery Controller enabled through web browser VMware Horizon View 4.6 HP Remote Graphics Software v5.4 Available as download from hp.com : HP Session Allocation Manager (SAM) 3.1 VMware Horizon View 5.0
Management	Available from vendor's website: Leostream Desktop Connection Broker Provision Networks (Quest) broker HP Device Manager agent HP ThinState for rapid deployment Microsoft SCCM/EDM agent HP Easy Tools (avail as add-on) GUI guides you through initial setup and configurations
Additional components	Windows Media Player 12 Microsoft .NET Framework 2.0 SP2, 3.0 SP2,3.5 SP1 HP Universal Print Driver (available as add-on) HP Connection Manager (available as add-on)

NOTE: Other add-on software available (see: www.hp.com/support for latest list of available add-ons)

Technical Specifications

LANGUAGES (MUI)

English, French, German, Spanish, Dutch, Norwegian, Korean, Simplified Chinese, Traditional Chinese, and Japanese

DIMENSIONS (WxDxH)

Without stand	1.73 x 8.74 x 10.04 in (4.4 x 22.2 x 25.5 cm)
With stand	1.73 x 8.74 x 10.39 in (4.4 x 22.2 x 26.67 cm)
With expansion module	2.91 x 8.74 x 10.04 in (7.4 x 22.2 x 25.5 cm)

NOTE: Dimensions are approximate

WEIGHT

Without stand	3.48 lb (1.58 kg)
With stand	4.14 lb (1.88 kg)

NOTE: Weights are approximate

POWER

65 W
ENERGY STAR® 2.0 qualified
Worldwide auto-sensing 100-240 VAC, 50-60 Hz energy-saving automatic power-down, surge-tolerant

ENVIRONMENTAL

Operating temperature range	<u>Standard</u> 50° to 104° F (10° to 40° C)
	<u>Using Quick Release with a flat panel monitor</u> 50° to 95° F (10° to 35° C)
	<u>Using PCI Expansion Unit</u> 50° to 104° F (10° to 40° C)
Non-operating temperature range	22° to 140° F (-30° to 60° C)
Humidity	<u>Condensing</u> 20% to 80%
	<u>Non-condensing</u> 10% to 90% non-condensing

NOTE: Specifications are at sea level with altitude derating of 1° C/300m (1.8° F/1000ft) to a maximum of 3 Km (10,000 ft), with no direct, sustained sunlight. Upper limit may be limited by the type and number of options installed.

Technical Specifications

REGULATORY COMPLIANCE

Ergonomics	German ZH1/618; EN29241-3, approved
Safety	UL 1950, CSA 950; TÜV-GS (EN60 950) approved
RF Interference	FCC Class B; CE Mark; EN55022B; VCCI

EMULATIONS

Emulation	Terminal ID
ADDS A2	
AIXTerm	
ANSI BBS	
AT 386	
ATT4410	
HP 700-92/96	70092, 70094, 70096, 2392A, 2622A
HZ1500	
IBM3151	Mod11, Mod31
IBM3270	3278-2 (24x80), 3278-3 (32x80), 3278-4 (43x80), 3278-5 (27x132), 3278-2-E (24x80), 3278-3-E (32x80), 3278-4-E (43x80), 3278-5-E (27x132), 3279-2 (24x80), 3279-3 (32x80), 3279-4 (43x80), 3279-5 (27x132), 3287-1
IBM5250	5291-1, 5292-2, 5251-11, 3179-2, 3196-A1, 3180-2, 3477-FC (27x132), 3477-FG (24x80), 3486-BA, 3487-HA, 3487-HC, 3812-1
SCO Console	
Stratus V102	
TA6530	
TVI910	
TVI920	
TVI925	
TVI950	
TVI955	
VT52, VT100, VT100+, VT500 (7- or 8-bit)	VT100, VT101, VT102, VT125, VT131, VT132, M2200, VT220, VT240, VT320, VT340, VT420, VT510, VT520, VT525
VT HP220, VT UTF8	VT100, VT101, VT102, VT125, VT220, VT240, VT320, VT340, VT420, VT131, VT132, M2200, VT510, VT520, VT525
VT PCTerm	
Wyse PCTerm	
WY50	
WY50+	
WY60	

NOTE: Wireless features, performance and support may vary depending on environmental variables such placement, settings and firmware of your access points. Please contact your wireless vendor for support of your wireless environment.

Technical Specifications – Environmental Data

ECO-LABEL CERTIFICATIONS & DECLARATIONS

This product has received or is in the process of being certified to the following approvals and may be labeled with one or more of these markets:

- ENERGY STAR® Category B
- EPEAT® registered where applicable/supported, see www.epeat.net for registration status by country
- Enhanced performance models using either the AMD FirePro™ 2270 or 2460 graphics cards do not meet ENERGY STAR® or EPEAT® requirements.

ENERGY CONSUMPTION

	115 VAC (60Hz)	230 VAC (50Hz)	100 VAC (60Hz)
Standard Models			
Idle State:	10.70 W	10.80 W	10.80 W
Off Mode:	0.51 W	0.30 W	0.51 W
Enhanced Performance Models			
HOE51AA			
Idle State:	13.75 W	13.87 W	13.74 W
Off Mode:	1.69 W	1.75 W	1.69 W
HOE50AA			
Idle State:	20.32 W	20.81 W	19.85 W
Off Mode:	1.71 W	1.77 W	1.70 W
HOE49AA			
Idle State:	25.04 W	24.98 W	25.17 W
Off Mode:	1.725 W	1.762 W	1.705 W
A1U70AA			
Idle State:	20.45 W	21.43 W	20.35 W
Off Mode:	0.42 W	0.41 W	0.42 W
A1U69AA			
Idle State:	25.34 W	25.52 W	25.13 W
Off Mode:	0.41 W	0.42 W	0.40 W

NOTE: This product is in compliance with US executive order 13221, WOL (wake on LAN) disabled. Off Mode measurements are made with WOL disabled.

NOTE: The actual power consumption at your location could vary and is dependent on many factors including but not limited to software load on the thin client, attached peripherals, and environmental factors.

HEAT DISSIPATION

	115 VAC (60Hz)	230 VAC (50Hz)	100 VAC (60Hz)
Standard Models			
Idle State:	36.51 BTU/hr	36.85 BTU/hr	36.85 BTU/hr
Off Mode:	1.74 BTU/hr	1.02 BTU/hr	1.74 BTU/hr

Technical Specifications – Environmental Data

Enhanced Performance Models

HOE51AA

Idle State:	46.92 BTU/hr	47.33 BTU/hr	46.88 BTU/hr
Off Mode:	5.77 BTU/hr	5.97 BTU/hr	5.77 BTU/hr

HOE50AA

Idle State:	69.33 BTU/hr	71.01 BTU/hr	67.73 BTU/hr
Off Mode:	5.83 BTU/hr	6.04 BTU/hr	5.80 BTU/hr

HOE49AA

Idle State:	85.44 BTU/hr	85.24 BTU/hr	85.88 BTU/hr
Off Mode:	5.89 BTU/hr	6.01 BTU/hr	5.82 BTU/hr

A1U70AA

Idle State:	69.78 BTU/hr	73.12 BTU/hr	69.44 BTU/hr
Off Mode:	1.43 BTU/hr	1.40 BTU/hr	1.43 BTU/hr

A1U69AA

Idle State:	86.46 BTU/hr	87.08 BTU/hr	85.75 BTU/hr
Off Mode:	1.40 BTU/hr	1.43 BTU/hr	1.36 BTU/hr

NOTE: Heat dissipation is calculated based on the measured watts, assuming the service level is attained for one hour

BATTERIES

This product complies with ISO standards:

- EU Directive 91/ 157/ EEC
- EU Directive 93/ 86/ EEC
- EU Directive 98/ 101/ EEC

Batteries used in the product do not contain:

- Mercury greater the 5ppm by weight
- Cadmium greater than 10ppm by weight
- Lead greater than 4000ppm by weight.
- Battery size: CR2032 (coin cell)
Battery type: Lithium

RECYCLED MATERIAL

Product

- This product contains 0% recycled materials (by weight).
- This product is over 95% (by weight) recyclable when disposed of properly at end of life.

Packaging

- The EPE foam packaging material contains at least 5% (by weight) post-consumer recycled content.
- The corrugated paper packaging materials contains at least 80% (by weight) post-consumer recycled content.
- The packaging for this product is 100% (by weight) recyclable when disposed of properly.

RoHS COMPLIANCE



Technical Specifications – Environmental Data

Hewlett-Packard is committed to compliance with all applicable environmental laws and regulations, including the European Union Restriction of Hazardous Substances (RoHS) Directive. HP's goal is to exceed compliance obligations by meeting the requirements of the RoHS Directive on a worldwide basis.

MATERIAL USAGE

This product does not contain any of the following substances in excess of regulatory limits (refer to the HP General Specification for the Environment at: http://www.hp.com/hpinfo/globalcitizenship/environment/supplychain/gen_specifications.html):

- Asbestos
- Certain Azo Colorants
- Certain Brominated Flame Retardants - may not be used as flame retardants in plastics
- Cadmium
- Chlorinated Hydrocarbons
- Chlorinated Paraffins
- Formaldehyde
- Halogenated Diphenyl Methanes
- Lead carbonates and sulfates
- Lead and Lead compounds
- Mercuric Oxide Batteries
- Nickel - finishes must not be used on the external surface designed to be frequently handled or carried by the user.
- Ozone Depleting Substances
- Polybrominated Biphenyls (PBBs)
- Polybrominated Biphenyl Ethers (PBBEs)
- Polybrominated Biphenyl Oxides (PBBOs)
- Polychlorinated Biphenyl (PCB)
- Polychlorinated Terphenyls (PCT)
- Polyvinyl Chloride (PVC) - except for wires and cables, and certain retail packaging has been voluntarily removed from most applications.
- Radioactive Substances
- Tributyl Tin (TBT), Triphenyl Tin (TPT), Tributyl Tin Oxide (TBTO)

Packaging

HP follows these guidelines to decrease the environmental impact of product packaging:

- Eliminate the use of heavy metals such as lead, chromium, mercury and cadmium in packaging materials.
- Eliminate the use of ozone-depleting substances (ODS) in packaging materials.
- Design packaging materials for ease of disassembly.
- Maximize the use of post-consumer recycled content materials in packaging materials.
- Use readily recyclable packaging materials such as paper and corrugated materials.
- Reduce size and weight of packages to improve transportation fuel efficiency.

Plastic packaging materials are marked according to ISO 11469 and DIN 6120 standards.

End-of-life Management and Recycling

Hewlett-Packard offers end-of-life HP product return and recycling programs in many geographic areas. To recycle your product, please go to: <http://www.hp.com/recycle> or contact your nearest HP sales office. Products returned to HP will be

Technical Specifications – Environmental Data

recycled, recovered or disposed of in a responsible manner.

The EU WEEE directive (2002/95/EC) requires manufacturers to provide treatment information for each product type for use by treatment facilities. This information (product disassembly instructions) is posted on the Hewlett Packard web site at: <http://www.hp.com/go/recyclers>.

These instructions may be used by recyclers and other WEEE treatment facilities as well as HP OEM customers who integrate and re-sell HP equipment.

Hewlett-Packard Corporate Environmental Information

For more information about HP's commitment to the environment:

Global Citizenship Report:

<http://www.hp.com/hpinfo/globalcitizenship/gcreport/index.html>

Eco-label certifications:

<http://www.hp.com/hpinfo/globalcitizenship/environment/productdesign/ecolabels.html>

ISO 14001 certificates:

<http://www.hp.com/hpinfo/globalcitizenship/environment/operations/envmanagement.html>

Options and Accessories (sold separately)

		Part Number
Accessories	HP t5740/t5745 PCIe x4/PCI Expansion Module ¹	AZ551AA
	HP Quick Release Kit	EM870AA
	HP Integrated Work Center Stand	GN783AA
	HP Cable Lock	PC766A
	65 Watt External Power Supply replacement	AZ552AA
Communications ^{2,3}	Cisco Aironet 802.11a/b/g Wireless PCI Adapter	AIR-PI21AG-A-K9
	Allied Telesis PCIe x1 Fast Ethernet Fiber Network Interface Card	AT-2711FX
	Allied Telesis PCIe x1 Gigabit Fiber Network Interface Card	AT-2972SX
Input Devices	HP PS/2 Standard Keyboard	DT527A
	HP USB Standard Keyboard	DT528A
	HP USB Smartcard Keyboard	ED707AA
	HP USB CCID Smartcard Keyboard (BFR/PVC free)	BV813AA
	HP PS/2 2-Button Optical Mouse	EY703AA
	HP USB 2-Button Optical Scroll Mouse	DC172B
Graphics	HP DisplayPort to DVI-D Adapter	FH973AA FH973AT
	HP DMS-59 to dual VGA Adapter (for use with dual-head enhanced technology models only)	GS567AA
	HP DMS-59 to dual DVI-I Adapter (for use with dual-head enhanced technology models only)	DL139A
	HP DMS-59 to dual DisplayPort Adapter (for use with dual-head enhanced technology models only)	XP688AA
Storage	HP USB External CD/DVD R/RW Drive (read only support)	FS943AA FS934UT
	Apacer 4GB AH522 USB 2.0 Flash Drive ²	91.HDE2S.HP00C
	Apacer 8GB AH522 USB 2.0 Flash Drive ²	91.HDF2S.HP00C
	Apacer 16GB AH522 USB 2.0 Flash Drive ²	91.HDG2S.HP00C
Security	HP USB Smartcard Keyboard	ED707AA
	HP USB CCID Smartcard Keyboard (BFR/PVC free)	BV813AA
	Gemalto PC USB-TR Card Reader ²	HWP117685
	Gemalto .NET v2+ Smart Card ²	HWP115303B HWP115647C
	SCM SCR331 USB Smart Card Reader ²	904054
	HP Keyed Cable Lock (BFR/PVC free)	BV411AA
Care Pack Services ⁵	9x5 Next-Business-Day Advanced Exchange - 3 Years	331653-001; U4847E
	9x5 Next-Business-Day On-Site Coverage - 3 Years	331655-001; U4849E

Options and Accessories (sold separately)

Hardware Installation

331686-001;
UJ865E

- ¹ The PCIe/PCI Expansion Module should not be used if the HP 16GB SATA module is installed.
- ² Option, drivers, warranty, and support are available directly from third party.
- ³ Wireless access point and Internet access required. Availability of public wireless access points limited.
- ⁴ Service levels and response times for HP Care Pack Services may vary depending on your geographic location. Restrictions and limitations apply. For details, visit: www.hp.com/go/carepack.
- ⁵ U4847E is available in all regions; U4849E is available in Latin America and Asia-Pacific/Japan.

© 2013 Hewlett-Packard Development Company, L.P. The information contained herein is subject to change without notice and is provided "as is" without warranty of any kind. The warranties for HP products and services are set forth in the express limited warranty statements accompanying such products and services. Nothing herein should be construed as constituting an additional warranty. HP shall not be liable for technical or editorial errors or omissions contained herein. Microsoft and Windows are trademarks of the Microsoft Group of Companies. ENERGY STAR is a registered mark owned by the U.S. government.