

KING Series

Complete Protection for Internet Computers and Advanced Servers

- ¥ Line interactive design
- ¥ Fully digitized microprocessor controlled
- ¥ Smart RS-232 communication port *
- ¥ Tel/modem internet surge suppression *
- ¥ Auto Voltage regulation (boost and buck AVR)
- ¥ Hot swappable battery by users **
- ¥ Extended back up time with battery pack **
- ¥ Surge protection output for critical load
- ¥ Short circuit and overload protection
- ¥ Advanced battery management (ABM)
- ¥ 50/60Hz frequency auto sensing
- ¥ EMI/RFI noise filter
- ¥ Cold start (DC power on)
- ¥ Energy saving (UPS sleep mode)
- ¥ AVR boost & buck LED **
- ¥ Lightning and surge protection
- ¥ Line, inverter, battery status LED
- ¥ Site wiring fault LED display ***
- ¥ Schedule shutdown & reboot *
- ¥ Automatically charging when UPS off *
- ¥ History record of power failure events *
- ¥ Back up, on-line, battery status, power status display by software *

* feature available for KIN-xxxAP only ** feature available on 800VA and up models
 *** feature on KIN-800AP and above models (120V models)



KIN-325A-ART / KIN-425/525/625A/AP-ART



KSL-500AP



KIN-325A
KIN-425/525/625A/AP



KIN-800/1000/1200/1500AP

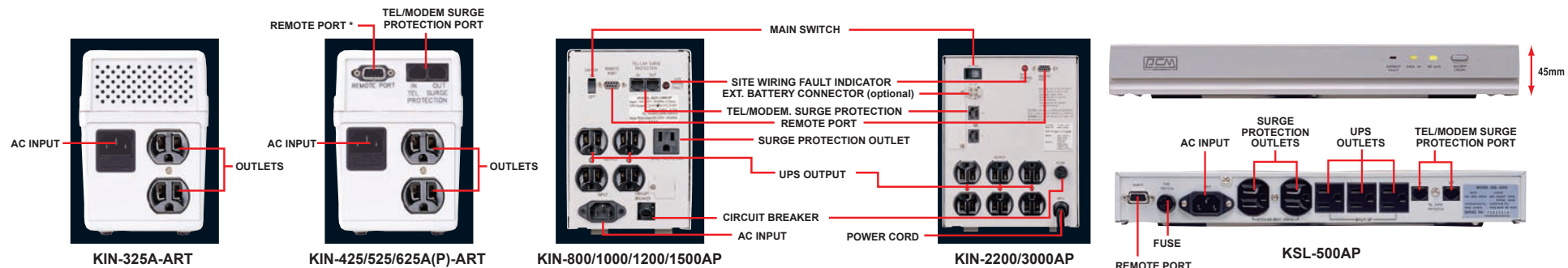


KIN-2200/3000AP



Complete Power Solution™

ISO 9001 Certified Company



SPECIFICATION

MODEL		KIN-325A-ART	KIN-425A(P)-ART	KIN-525A(P)-ART	KIN-625A(P)-ART	KSL-500AP	KIN-800AP	KIN-1000AP	KIN-1200AP	KIN-1500AP	KIN-2200AP	KIN-3000AP	
INPUT	Capacity	325VA	425VA	525VA	625VA	500VA	800VA	1000VA	1200VA	1500VA	2200VA	3000VA	
	Voltage	100V/110V/115V/120V/220V/230V/240V +/-25% at line input											
	Frequency	50 or 60Hz +/-10% (auto sensing)											
OUTPUT	Voltage (on battery)	Simulated sine wave at 100V/110V/115V/120V/220V/230V/240V +/-5%											
	Frequency (on battery)	50 or 60Hz +/-0.5%											
	Voltage Regulation AVR	AVR automatically increase output voltage 15% above input voltage if -9% to -25% of nominal. AVR decrease output voltage 13% below input voltage if +9% to +25% of nominal											
	Transfer Time	2/4 milliseconds, including detection time											
	PROTECTION and FILTERING	Spike Protection	320 Joules, 2 ms										
	EMI/RFI filter	10dB at 0.15MHz, 50 dB at 30MHz											
	Overload Protection	UPS automatic shutdown if overload over 110% of nominal at 60 seconds and 130% at 3 seconds.											
	Unit Input	Fuse for overload & short circuit protection											
	10Base-T Cable Port	Network (UTP, RJ-45) compatible jacks											
	Short Circuit	UPS output cut off immediately or input fuse protection											
BATTERY	Type	Sealed, maintenance-free lead acid, with 3-6 years typical lifetime											
	Typical Recharge Time	4 hours (to 90% of full capacity)											
	Protection	Automatic self-test, Discharge protection, Replace battery indicator											
BACK UP TIME	Back-up Time (a PC with 15" monitor)	10 - 20 minutes	15 - 25 minutes	20 - 30 minutes	25 - 35 minutes	20 - 30 minutes	55 - 65 minutes	60 - 70 minutes	65 - 75 minutes	70 - 80 minutes	85 - 95 minutes	95 - 105 minutes	
	PHYSICAL	Weight kg (lbs)	4.7 (10.4 lb)	5.8 (12.8 lb)	6.2 (13.7 lb)	6.5 (14.3 lb)	9.0 (19.8 lb)	13.3 (29.3 lb)	15.0 (33.0 lb)	15.5 (34.1 lb)	15.8 (34.8 lb)	26.2 (57.6 lb)	29.8 (65.6 lb)
	Dimension WxDxH mm (inch)	97 x 260 x 135 (3.8"x10.2"x5.3")	97 x 320 x 135 (3.8" x 12.6" x 5.3")			370 x 330 x 45 (14.6"x13.0"x1.8")	130 x 382 x 201 (5.1" x 15" x 7.9")			170 x 450 x 225 (6.7" x 17.7" x 8.9")			
ALARM	Battery Back-up	Slow beeping sound (about 0.47Hz)											
	Battery Low	Rapid beeping sound (about 1.824Hz)											
	Overload	Continuously beeping sound											
INTERFACE	RS-232 Interface	None	Bi-directional communication port										
ENVIRONMENT	Ambient operation	3,500 meters max. elevation, 0-95% humidity non-condensing, 0-40 deg C											
	Audible noise	<40dBA (1 meter from surface)											

Available Through:

UPS MON plus
Power Management Software

