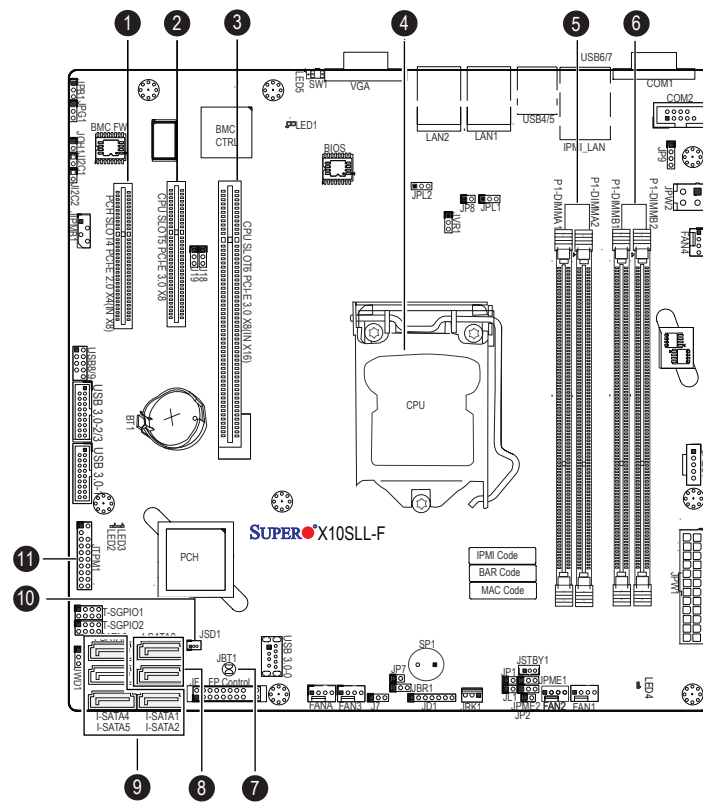


SUPERMICR[®] SuperServer 5018D-MF Quick Reference Guide

Board Layout

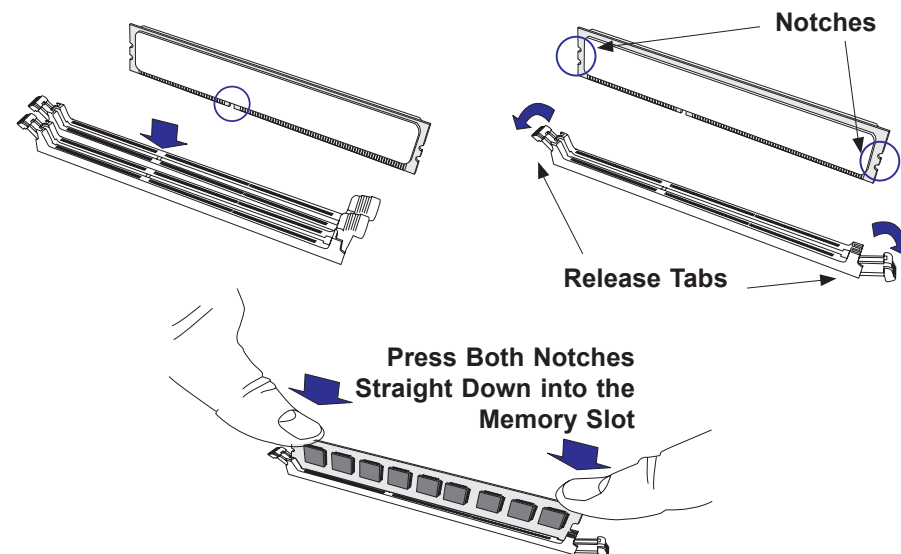
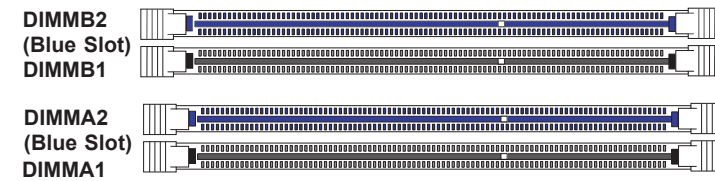


No.	Description
1	PCH Slot4 PCI-E 2.0 x4 in x8 slot
2	CPU Slot5 PCI-E 3.0 x8 slot
3	CPU Slot6 PCI-E 3.0 x8 in x16 slot
4	CPU
5	DIMMA1 / DIMMA2 (Blue Slot)
6	DIMM1B / DIMM2B (Blue Slot)
7	JBT1 = CMOS Clear
8	SATA 3.0 (0/1 Ports)
9	SATA 2.0 (2/3/4/5 Ports)
10	JSD1 = SATA DOM Power Connector
11	JTPM1 = Trusted Platform Module/Port 80 Connector

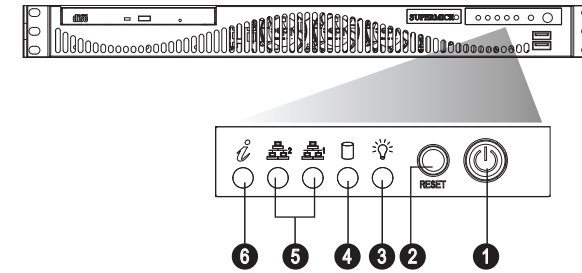
MEMORY

DDR3 Unbuffered Non-ECC (UDIMM) Memory				
DIMM Slots per Channel	DIMMs Populated per Channel	DIMM Type	POR Speeds	Ranks per DIMM (any combination)
2	1	Unb. ECC DDR3	1066, 1333, 1600	Single Rank, Dual Rank
2	2	Unb. ECC DDR3	1066, 1333, 1600	Single Rank, Dual Rank

Populating these DIMM modules with a pair of memory modules of the same type and same size will result in interleaved memory, which will improve memory performance

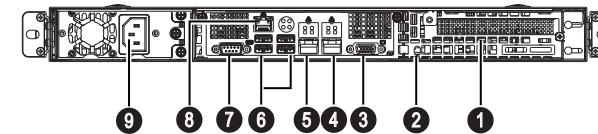


Front View & Interface



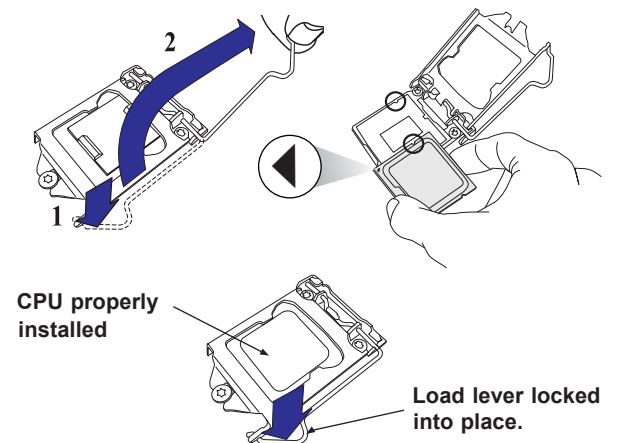
No.	Description
1	Power Button
2	Reset Button
3	Power LED
4	Device Activity LED
5	LAN1 LED & LAN2 LED
6	Information LED

Rear View

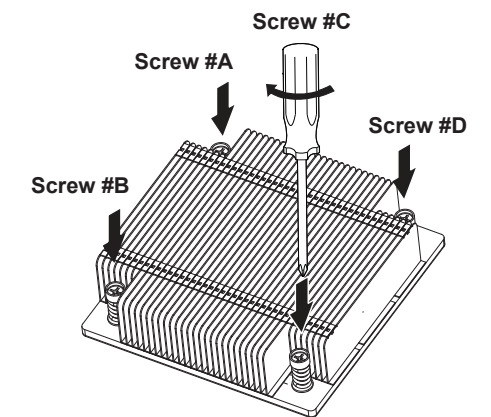


No.	Description
1	PCI-E Expansion Slot (w/riser card)
2	UID Button
3	VGA Port
4	GbE LAN2 Port
5	GbE LAN1 Port
6	USB 4/5/6/7 Ports
7	COM1 Port
8	Dedicated LAN for IPMI
9	Single Power Supply Module

CPU Installation



Heatsink Installation



- Place heatsink on top of installed CPU
- Line up the four screws to socket
- Push down heatsink and screw down as shown (cross pattern, in order: A, C, B, D)
- NOTE: Only use 6-8 lb/f of torque; otherwise, hand-tighten each screw, to avoid damaging the system

Caution

SAFETY INFORMATION
 IMPORTANT: See installation instructions and safety warning before connecting system to power supply.
http://www.supermicro.com/about/policies/safety_information.cfm

WARNING:
 To reduce risk of electric shock/damage to equipment, disconnect power from server by disconnecting all power cords from electrical outlets.
 If any CPU socket empty, install protective plastic CPU cap

CAUTION:
 Always be sure all power supplies for this system have the same power output. If mixed power supplies are installed, the system will not operate.

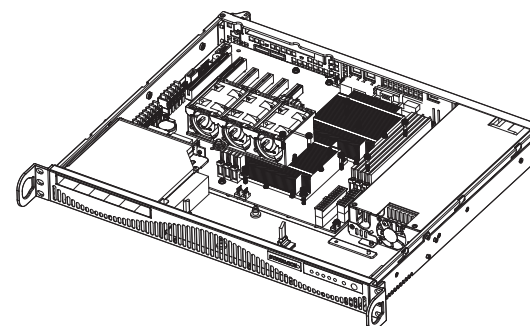
For more information go to :
<http://www.supermicro.com/support>

Serial ATA Drive Installation

- First power down the system and then remove the top cover of the chassis.
- Secure the drive to the tray with the four screws.
- Replace the top cover when finished.

Note: the 5018D-MF can accommodate two internal SATA hard drives, one on each side of the fans.

Warning: Enterprise level hard disk drives are recommended for use in Supermicro chassis and servers. For information on recommended HDDs, visit the Supermicro Web site at <http://www.supermicro.com>



Beep Code

BIOS Error Beep Codes		
Beep Code/LED	Error Message	Description
1 beep	Refresh	Circuits have been reset. (Ready to power up)
5 short beeps + 1 long beep	Memory error	No memory detected in the system
8 beeps	Display memory read/write error	Video adapter missing or with faulty memory
OH LED On	System OH	System Overheat

