

PowerEdge T620



Technical Guide



This enterprise-class, 2-socket tower server emphasizes balanced high performance, high availability and built-in room for growth.



This document is for informational purposes only. Dell reserves the right to make changes without further notice to any products herein. The content provided is as is and without express or implied warranties of any kind.

Dell, the DELL logo, the DELL badge, PowerEdge, EqualLogic, PowerVault, PowerConnect, OpenManage, KACE, and ReadyRails are trademarks of Dell, Inc. Citrix and XenServer are trademarks of Citrix Systems, Inc. and/or one or more of its subsidiaries, and may be registered in the United States Patent and Trademark Office and in other countries. Intel and Xeon are registered trademarks of Intel Corporation in the U.S. and other countries. HP is a trademark of Hewlett-Packard Company. Broadcom is a registered trademark and NetXtreme is a trademark of Broadcom Corporation and/or its affiliates in the United States, certain other countries and/or the EU. Matrox is a registered trademark of Matrox Electronic Systems Ltd. Microsoft, Windows, Windows Server, SQL Server, and BitLocker, and Hyper-V are either registered trademarks or trademarks of Microsoft Corporation in the United States and/or other countries. PCI Express is a registered trademark of PCI-SIG. Red Hat is a registered trademark of Red Hat, Inc. in the United States and other countries. SUSE is a registered trademark of Novell, Inc., in the United States and other countries. Linux is a registered trademark of Linus Torvalds. QLogic is a registered trademark of QLogic Corporation. VMware, vSphere, vCenter, ESX, and ESXi are registered trademarks or trademarks of VMware, Inc. in the United States and/or other jurisdictions. Other trademarks and trade names may be used in this document to refer to either the entities claiming the marks and names or their products. Dell disclaims proprietary interest in the marks and names of others.

©Copyright 2012 Dell Inc. All rights reserved. Reproduction or translation of any part of this work beyond that permitted by U.S. copyright laws without the written permission of Dell Inc. is unlawful and strictly forbidden.

February 2012 | Rev 1.0



Table of contents

1	System overview.....	5
	Introduction.....	5
	New technologies	6
2	System features	7
	Specifications	7
	Comparison of PowerEdge systems	9
3	Chassis views and features.....	10
	Chassis views	10
	Chassis features	13
4	Processor.....	16
	Processor features.....	16
	Supported processors.....	17
	GPU support	17
	Chipset.....	18
5	Memory.....	19
	Supported memory	19
	Memory configurations	20
	Memory speed	21
	Memory RAS features.....	22
6	Storage	23
	Internal storage	23
	External storage	24
	Storage controllers.....	25
	Optical drive	26
	Tape drive.....	27
7	Networking and PCIe	28
	PCIe expansion	28
8	Power, thermal, and acoustics	30
	Power consumption and energy efficiency.....	30
	Power supply units	31
	Thermal and acoustics.....	32
9	Rack rails and cable management	35
	Sliding rail system	35
	Cable management arm.....	36
10	Operating systems and virtualization	37
	Supported operating systems.....	37
	Supported virtualization	38
11	Dell OpenManage systems management.....	39
	Systems management solutions	39
	OpenManage systems management	40
	Dell server management operations.....	44
Appendix A.	Additional specifications and options	47
	Chassis dimensions	47
	Chassis weight.....	47
	Power supply specifications	48
	Environmental specifications	48
	Video specifications	49
	Rack rail specifications	50
	USB peripherals.....	50
Appendix B.	Standards compliance	51
Appendix C.	Additional resources.....	52



Tables

Table 1.	New technologies	6
Table 2.	Technical specifications	7
Table 3.	Comparison of PowerEdge T610, T710, and T620	9
Table 4.	Chassis features	13
Table 5.	Security features	15
Table 6.	Supported processors	17
Table 7.	GPU cards supported	18
Table 8.	Memory technologies supported	19
Table 9.	DIMMs supported	20
Table 10.	Memory speed capabilities	21
Table 11.	Memory RAS features	22
Table 12.	Supported hard drives	23
Table 13.	Supported external storage	24
Table 14.	RAID controllers	25
Table 15.	Hard-drive backplane options	26
Table 16.	Tape devices supported	27
Table 17.	Supported NICs and HBAs	28
Table 18.	Additional supported PCIe expansion cards	29
Table 19.	Power tools and technologies	30
Table 20.	Power supply efficiency	32
Table 21.	Acoustical performance	34
Table 22.	T620 supported rack rail system	36
Table 23.	Primary operating system support	37
Table 24.	Virtual guest operating system support	37
Table 25.	Virtualization support	38
Table 26.	iDRAC7 with Lifecycle Controller functions and benefits	40
Table 27.	Feature comparison for iDRAC7 Express and Enterprise	41
Table 28.	One-to-one and one-to-many operations	45
Table 29.	Tower and rack chassis weight	47
Table 30.	Power supply specifications	48
Table 31.	Environmental specifications	48
Table 32.	Supported video modes	49
Table 33.	Rail adjustability range	50
Table 34.	Industry standard documents	51
Table 35.	Additional resources	52

Figures

Figure 1.	Front view without bezel	10
Figure 2.	Front view with bezel	11
Figure 3.	Rackable front view without bezel	11
Figure 4.	Back view	12
Figure 5.	Internal view	12
Figure 6.	Tower system with LCD panel	14
Figure 7.	Rack system with VGA port	14
Figure 8.	QRL code inside chassis cover	14
Figure 9.	750W power supply unit	32
Figure 10.	Sliding rails with optional CMA	35
Figure 11.	Dell systems management solutions	39
Figure 12.	Systems management server lifecycle	45
Figure 13.	Tower and rack chassis dimensions	47



1 System overview

Introduction

The Dell™ PowerEdge™ T620 is a feature-rich, 2-socket tower server with up to 24 DIMM slots, storage capacity of up to thirty-two 2.5-inch or twelve 3.5-inch drive bays, and processing power from the Intel® Xeon® processor E5-2600 product family. The T620 shines in its ability to handle demanding workloads with up to sixteen processor cores, high memory density, and high I/O bandwidth. The T620 is an excellent platform for key applications such as business analytics and intelligence, information management, customer relationship management, security management, desktop virtualization, medical imaging, and graphical rendering.

Designed for demanding small and medium business environments and enterprise data centers

The extensive 768GB memory footprint, large local storage capacity, and I/O flexibility of the PowerEdge T620 make it an attractive platform for a wide range of applications and workloads, including server consolidation and virtualization. The T620 features allow you to achieve space savings, utilize your IT administrator's time more efficiently, and minimize potential software licensing fees.

The T620 is a flexible server with excellent energy efficiency and acoustical performance, allowing it to be placed into quiet office settings. The T620 can also be rack-mounted and is fully compatible with rack infrastructures. Businesses and organizations with remote offices need not worry, as the T620 offers consistent worldwide support.

Safeguard your data and business

Features that protect data and help keep your server running are essential. The T620 and its large storage capacity offer both software-based RAID and hardware RAID controller options to protect critical business information. Features that help to keep your business up and running include reliability, availability, and serviceability (RAS) options like hot-pluggable fans, disks, and power supplies, along with redundant, failsafe hypervisors that minimize the need to take a server away from productive work to replace parts.

Dell OpenManage systems management

The Dell OpenManage™ systems management portfolio includes the Integrated Dell Remote Access Controller (iDRAC) with Lifecycle Controller. Innovative embedded management features help IT administrators manage Dell servers in physical, virtual, local, and remote environments, operating in-band or out-of-band, with or without a systems management software agent. OpenManage solutions integrate with and connect to third-party systems management solutions so you can maintain your single point of control and capitalize on your existing investment. OpenManage solutions simplify the lifecycle of deploying, updating, monitoring, and maintaining your Dell PowerEdge servers.



New technologies

Table 1 summarizes the newest technologies used in the Dell PowerEdge 12th generation servers.

Table 1. New technologies

New technologies	Detailed descriptions
Intel Xeon processor E5-2600 product family	This new family of Intel processors has embedded PCI Express® (PCIe) lanes for improved I/O performance. See the Processor section for details.
Intel C600 series chipset	The Intel Platform Controller Hub (PCH) chip is implemented on the T620 server.
1600 MT/s DDR3 memory	Certain models of the Intel Xeon E5-2600 processors support 1600 MT/s memory. The T620 supports two DIMMs per channel at 1600 MT/s with these processors. See the Memory section for details.
LRDIMM	This new memory option, load reduced DIMM (LRDIMM), is designed with a buffer chip (or chips) to replace the register to help minimize loading. LRDIMMs can increase overall server system memory capacity and speed. See the Memory section for more information.
Next generation PERC options	The T620 supports the new PERC controller cards with improved functionality and faster performance. See the Storage section for details.
PERC S110 software RAID solution	This new software RAID solution supports RAID 0, 1, 5, and 10, and supports a maximum of four hot-plug SATA hard drives or SATA solid-state drives (SSDs). See the Storage section for details.
Express Flash drives¹	Dell Express Flash PCIe solid-state drives provide fast performance without requiring processor resources or capturing DRAM. The T620 supports up to four Express Flash drives. See the Storage section for details.
iDRAC7 with Lifecycle Controller	The new embedded system management solution for Dell servers features hardware and firmware inventory and alerting, in-depth memory alerting, faster performance, a dedicated gigabit port and many more features. See the Dell OpenManage systems management section for details.
Internal GPU support	The T620 supports internal graphics processing units (GPUs) for virtual desktop infrastructure (VDI) and medical imaging. See the Processor section for details.
DC power supply¹	A new 1100W DC power supply option is available for the T620.
Advanced power management	The T620 supports advanced power monitoring and power capping tools that can help manage power consumption. See the Power, thermal, and acoustics section for details.
Fresh air cooling	Dell has tested and validated an integrated data center solution that enables you to operate at higher temperatures or even chiller-less. See the Power, thermal, and acoustics section for details.
Failsafe hypervisors	The internal dual SD module is a modular fail-safe design that is dedicated for an embedded ESX hypervisor or other embedded operating system.

¹Available Q2 2012



2 System features

The Dell™ PowerEdge™ T620 can be used to consolidate the workload of multiple smaller or previous-generation servers. In comparison, the Dell PowerEdge T620 offers more disk drive options, more PCIe slots, PCIe 3.0, Express Flash PCIe solid-state drives, a larger memory footprint, and optional internal graphics processing unit (GPU) support.

Specifications

Table 2 summarizes the specifications for each of the PowerEdge T620 features. For the latest information on supported features, visit Dell.com.

Table 2. Technical specifications

Feature	PowerEdge T620 technical specification				
Form factor	Tower (5U rack)				
Processors	Intel® Xeon® processor E5-2600 product family				
Processor sockets	2				
Front side bus (FSB)	2 x Intel QuickPath Interconnect (QPI) links: 6.4 GT/s, 7.2 GT/s, 8.0 GT/s				
Cache	2.5MB per core; core options: 2, 4, 6, 8				
Chipset	Intel C600				
Memory ¹	Up to 768GB (24 DIMM slots): 2GB/4GB/8GB/16GB/32GB DDR3 up to 1600MT/s				
PCIe slots	<p>7 PCIe slots:</p> <ul style="list-style-type: none"> • Four x16 slots with x16 bandwidth, full-length, full-height • Two x8 slots with x8 bandwidth, full-length, full-height • One x8 slot with x4 bandwidth, full-length, full-height 				
RAID controller	<table border="0"> <tr> <td>Internal controllers: PERC S110 (SW RAID) PERC H310 PERC H710 PERC H710P</td> <td>External HBAs (RAID): PERC H810</td> </tr> <tr> <td></td> <td>External HBAs (non-RAID): 6Gbps SAS HBA</td> </tr> </table>	Internal controllers: PERC S110 (SW RAID) PERC H310 PERC H710 PERC H710P	External HBAs (RAID): PERC H810		External HBAs (non-RAID): 6Gbps SAS HBA
Internal controllers: PERC S110 (SW RAID) PERC H310 PERC H710 PERC H710P	External HBAs (RAID): PERC H810				
	External HBAs (non-RAID): 6Gbps SAS HBA				
Hard drives (hot-plug)	<p>Drive bay options:</p> <ul style="list-style-type: none"> • Up to 8 x 3.5" + 4 x Express Flash² • Up to 12 x 3.5" • Up to 16 x 2.5" + 4 x Express Flash² • Up to 32 x 2.5" <p>Hard drive options:</p> <ul style="list-style-type: none"> • 2.5" Express Flash², SAS SSD, SATA SSD, SAS (15K, 10K), nearline SAS (7.2K), SATA (7.2K) • 3.5" nearline SAS (7.2K), SATA (7.2K), SAS (15K) <p>Self-encrypting drives (SEDs) available</p>				



Feature	PowerEdge T620 technical specification
Integrated NIC	Intel Dual Port 1GbE LOM
Power supply	Auto-ranging, Platinum efficiency 495W, 750W, or 1100W AC Gold efficiency 1100W DC ²
Availability	High-efficiency, hot-plug, redundant power supplies; hot-plug drive bays; TPM; dual internal SD support; hot-plug redundant fan; optional bezel; luggage-tag; ECC memory; interactive LCD screen; extended thermal support; ENERGY STAR [®] compliant; switch independent partitioning
Remote management	iDRAC7 with Lifecycle Controller iDRAC7 Express (default), iDRAC7 Enterprise (upgrade option) 8GB vFlash media (upgrade option), 16GB vFlash media (upgrade option)
Systems management	Dell OpenManage™ Essentials and Dell Management Console Dell OpenManage Power Center Dell OpenManage Connections: <ul style="list-style-type: none"> • OpenManage Integration Suite for Microsoft[®] System Center • Dell plug-in for VMware[®] vCenter™ • HP Operations Manager, IBM Tivoli[®] Netcool[®] and CA Network and Systems Management IPMI 2.0 compliant
Rack support	ReadyRails™ sliding rails with optional cable management arm for 4-post racks
Operating systems	Microsoft [®] Windows Server [®] 2008 R2 SP1, x64 (includes Hyper-V™ v2) Microsoft Windows [®] Small Business Server 2011 SUSE [®] Linux [®] Enterprise Server Red Hat [®] Enterprise Linux Optional embedded hypervisors: Citrix [®] XenServer™ VMware vSphere™ For more information on the specific versions and additions, visit Dell.com/OSsupport .

¹GB means 1 billion bytes and TB equals 1 trillion bytes; actual capacity varies with preloaded material and operating environment and will be less

²Available Q2 2012



Comparison of PowerEdge systems

The PowerEdge T620 is a direct replacement for the predecessor T610 system and a natural transition system of the T710. Table 3 compares some of the features of the PowerEdge T620 to the T610 and T710.

Table 3. Comparison of PowerEdge T610, T710, and T620

Feature	PowerEdge T610	PowerEdge T710	PowerEdge T620 (new)
Chassis	Tower or 5U rack	Tower or 5U rack	Tower or 5U rack
Processors	Intel® Xeon® processors 5500 and 5600 series	Intel Xeon processors 5500 and 5600 series	Intel Xeon processor E5-2600 product family
Front side bus	Intel QuickPath Interconnect	Intel QuickPath Interconnect	Intel QuickPath Interconnect
Memory¹	12 x DDR3 RDIMM and UDIMM Up to 192GB	12 x DDR3 RDIMM and UDIMM Up to 192GB	24 x DDR3 RDIMM, UDIMM, and LRDIMM Up to 768GB
Hard drive bays (hot plug)	Up to 8 x 2.5" or 8 x 3.5"	Up to 16 x 2.5" or 8 x 3.5"	Up to 32 x 2.5" or 12 x 3.5"
RAID controller	PERC 6/i, SAS 6/iR, 6/E, H200, H700, H800	PERC 6/i, SAS 6/iR, 6/E, H200, H700, H800	PERC S110, H310, H710, H710P, H810
Express Flash PCIe SSD²	Not supported	Not supported	Up to 4
PCI slots	6 PCIe 2.0	7 PCIe 3.0	7 PCIe 3.0
Onboard NICs	2 x 1GbE with TOE	4 x 1GbE with TOE	2 x 1GbE
Power supplies	Hot-plug, redundant power supply units: 570W or 870W	Hot-plug redundant power supply units: 750W or 1100W	Hot-plug, redundant power supply units: 495W, 750W, 1100W, or 1100W DC ²
Systems management	Dell OpenManage™ Dell Management Console (DMC) Lifecycle Controller 1.x	Dell OpenManage™ Dell Management Console (DMC) Lifecycle Controller 1.x	Dell OpenManage Essentials Dell Management Console (DMC) Lifecycle Controller 2.x
Remote management	iDRAC6 (Express or Enterprise) with Lifecycle Controller 1.x	iDRAC6 (Express or Enterprise) with Lifecycle Controller 1.x	iDRAC7 (Express or Enterprise) with Lifecycle Controller 2.x
Internal GPU	Not supported	Not supported	Up to 4 (single width or double width)
Power efficiency	Gold	Gold	Platinum
Availability	Hot-plug drives, optional redundant cooling, hot-plug redundant PSUs, internal dual SD module	Hot-plug drives, hot-plug redundant cooling, hot-plug redundant PSUs, internal dual SD module	Hot-plug drives, hot-plug redundant cooling, hot-plug redundant PSUs, internal dual SD module

¹GB means 1 billion bytes and TB equals 1 trillion bytes; actual capacity varies with preloaded material and operating environment and will be less

²Available Q2 2012



3 Chassis views and features

The Dell™ PowerEdge™ T620 is a 5U rackable tower server. The T620 provides various storage options including different drive types, internal and external storage controllers, and different chassis options for the various hard drive configurations.

Some of the new features for the T620 chassis include:

- Updated industrial design including a new LCD panel and bezel (optional security bezel available)
- Support for persistent storage through internal USB and SD card slots
- Front access for vFlash media reader
- Front VGA port for rack-mount chassis
- Front LCD panel for rack-mount chassis

Chassis views

The T620 is available in several configuration options, supporting up to twelve 3.5-inch hard drives or up to thirty-two 2.5-inch hard drives. All of these options can be selected in a tower or rack configuration at the time of purchase. A system, however, cannot be upgraded, reconfigured, or converted (for example, from tower to rack) after point of purchase. For the latest configuration details, visit Dell.com. See the Storage section for details about the T620 hot-plug hard drive options.

Figure 1 shows the front view of the 32-drive bay tower chassis without a bezel. Features on the front panel include an interactive LCD control panel, USB connectors, a video connector, and a vFlash media card slot.

Figure 1. Front view without bezel



Figure 2 shows the optional bezel on the front of the T620 tower chassis.

Figure 2. Front view with bezel



Figure 3 shows the front view of the rackable T620 chassis without a bezel.

Figure 3. Rackable front view without bezel



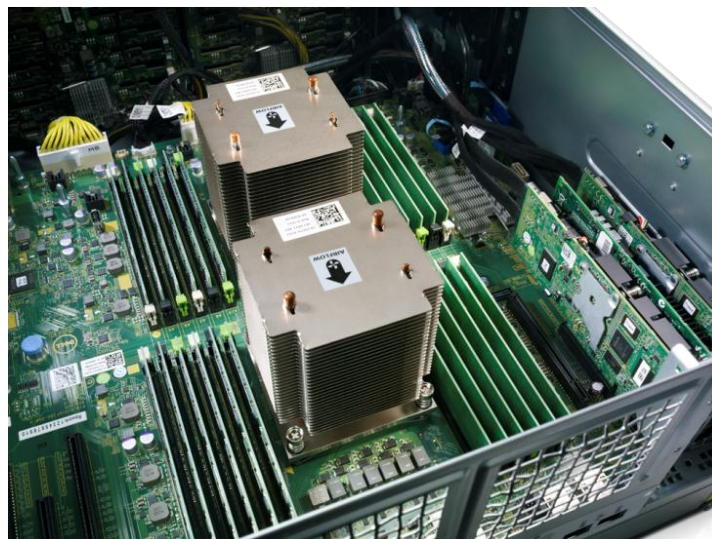
Figure 4 shows the back of the T620 chassis. Features on the back panel include the system identification light and button, serial connector, video connector, USB connectors, Ethernet connectors, PCIe slots, and power supplies.

Figure 4. Back view



Figure 5 is an internal view of the T620 showing processor heat sinks and associated DIMM slots.

Figure 5. Internal view



For additional system views, see the *Dell PowerEdge T620 Systems Owner's Manual* on Support.Dell.com/Manuals.



Chassis features

Table 4 lists the features on the T620 chassis. For additional information on the T620 chassis features, see the *Dell PowerEdge T620 Systems Owner's Manual* on Support.Dell.com/Manuals.

Table 4. Chassis features

Feature	Description
Power button and indicator	ACPI-complaint power button with an integrated green power LED
Bezel	Covers the system's front-loading hard drives; can be locked to prevent hard drives from being removed
NMI button	Recessed non-maskable interrupt (NMI) button used to troubleshoot software and device driver errors; use only if directed to do so by qualified support personnel or by the operating system's documentation
System identification button	Buttons on the back and front of a system to help identify the unit in a data center environment
Information tag	Slide-out label panel for recording system information
USB connectors	Six on the back panel; two on front panel
Video connector	Connects a monitor to the system
LCD control panel	Displays system ID, status information, and system error messages; two navigation buttons to scroll through the menu on the LCD and one select button
vFlash media reader	Supports one vFlash media card; functionality is activated only when iDRAC Enterprise is enabled
Hard drives	Up to thirty-two 2.5-inch or up to twelve 3.5-inch, front-accessible, hot-plug drives
Hard drive activity LEDs	Indicate the status and activity of the hard drives
Optical drive (optional)	Supports optional DVD drives; see the Storage section
Tape drive (optional)	See the Storage section
Video connector	One connector on front panel for rack mount
PCIe slots	Connects up to seven PCIe expansion cards
Power supply units	Up to two back-accessible, hot-plug power supplies
Power supply indicators	Indicate whether system has power
NIC indicators	Indicate network activity and status
Ethernet connectors	Choice of network connectors through the Select Network Adapter family
Serial connector	Connects a serial device to the system
iDRAC7 Enterprise port	Dedicated management port for optional iDRAC7 Enterprise
Quick Resource Locator (QRL)	This code on the chassis can be scanned by a smartphone application to access additional information and resources for the server, including videos, reference materials, service tag information, and Dell contact information.



Front control panel

The T620 has two versions of the front panel depending on the orientation of the system. The front control panel for a tower server has an LCD, which is an iDRAC-controlled graphics display that provides system information through error codes.

Figure 6. Tower system with LCD panel



The front control panel for a rack server has a VGA port to support a monitor.

Figure 7. Rack system with VGA port



Quick Resource Locator

A useful feature included with Dell PowerEdge 12th generation servers is the Quick Resource Locator (QRL)—a model-specific Quick Response (QR) code that is located inside the T620 chassis cover (see Figure 8). Use your smartphone to access the Dell QRL app to learn more about the server.

Figure 8. QRL code inside chassis cover



This QRL code allows you to:

- View step-by-step videos, including overviews of system internals and externals, as well as detailed, concise, task-oriented videos and installation wizards
- Locate reference materials, including searchable owner's manual content, LCD diagnostics, and an electrical overview
- Look up your service tag so you can quickly gain access to your specific hardware configuration info and warranty information
- Contact Dell directly (by link) to get in touch with technical support and sales teams and provide feedback to Dell



These codes provide an easy way to retrieve the critical support information you need when you need it, making you more efficient and effective in managing your hardware.

Security features

The PowerEdge servers have the features listed in Table 5 to help ensure the security of your data center.

Table 5. Security features

Security feature	Description
Cover latch	A tooled latch is integrated in the side cover to secure it to the rack chassis.
Front bezel	A metal bezel is mounted to the chassis front to provide the Dell ID. A lock on the bezel is used to protect un-authorized access to hard drives. System status is viewable on the LCD screen when the bezel is installed.
TPM	The Trusted Platform Module (TPM) is used to generate/store keys, protect/authenticate passwords, and create/store digital certificates. It also supports the Intel Xeon TXT functionality. TPM can also be used to enable the BitLocker™ hard drive encryption feature in Windows Server 2008. TPM 1.2 is supported. No TPM version is available for China or Russia.
Power-off security	BIOS has the ability to disable the power button function.
Intrusion alert	An internal switch is used to detect chassis intrusion.
Secure mode	BIOS has the ability to enter a secure boot mode through system setup. This mode includes the option to lock out the power and NMI switches on the control panel or set up a system password.



4 Processor

The Dell™ PowerEdge™ T620 features the Intel® Xeon® processor E5-2600 product family, which offers an ideal combination of performance, power efficiency, and cost. These processors provide high performance no matter what your constraint is—floor space, power, or budget—and on workloads that range from the most complicated scientific exploration to crucial web-serving and infrastructure applications. In addition to providing raw performance gains, improved I/O is also made possible with Intel Integrated I/O, which can reduce latency by adding more lanes and doubling bandwidth. This helps to reduce network and storage bottlenecks, unleashing the processor's performance capabilities.

Processor features

The new Intel Xeon processor E5-2600 product family not only adds new features, but also improves upon many features of the predecessor Intel Xeon processor 5600 series, including:

- Up to two additional cores and up to 8MB more last level cache
- More memory—six additional DIMMs and support for up to 32GB DIMMs, which increases memory capacity from 288GB to 768GB
- Intel Integrated I/O has support for up to 80 lanes of PCIe 3.0, which can reduce latency
- Faster connections are provided throughout the system with support for DDR3 1600MT/s memory and 8.0 GT/s QPI
- Intel Data Direct I/O (DDIO) allows I/O traffic to skip the main system memory and be directed straight to the processor cache, which can provide a significant reduction in latency as well as allowing memory to remain in a low-power state
- Intel Advanced Vector Extensions offer up to double the floating point operations per clock cycle by doubling the length of registers, which can be useful for addressing very complex problems or dealing with large-number calculations, which are integral to many technical, financial, and scientific computing problems
- Intel Turbo Boost Technology 2.0 delivers up to double the boost than the previous-generation turbo technology
- Continued improvements to both Intel TXT and AES-NI help to better protect systems and data

For more information on the Intel Xeon processor E5-2600 product family, visit intel.com.



Supported processors

The T620 supports up to two processors with up to eight cores per processor. Table 6 lists the Intel Xeon E5-2600 processors supported by the PowerEdge T620. For the latest information on supported processors, visit Dell.com/PowerEdge.

Table 6. Supported processors

Model	Speed	TDP	Cache	Cores	QPI	Turbo
E5-2690	2.9GHz	135W	20M	8	8.0GT/s	Yes
E5-2680	2.7GHz	130W	20M	8	8.0GT/s	Yes
E5-2670	2.6GHz	115W	20M	8	8.0GT/s	Yes
E5-2667	2.9GHz	130W	15M	6	8.0GT/s	Yes
E5-2665	2.4GHz	115W	20M	8	8.0GT/s	Yes
E5-2660	2.2GHz	95W	20M	8	8.0GT/s	Yes
E5-2650L	1.8GHz	70W	20M	8	8.0GT/s	Yes
E5-2650	2.0GHz	95W	20M	8	8.0GT/s	Yes
E5-2643	3.3GHz	130W	10M	4	8.0GT/s	Yes
E5-2640	2.0GHz	95W	15M	6	7.2GT/s	Yes
E5-2637	2.0GHz	80W	5M	2	6.4GT/s	Yes
E5-2630	2.0GHz	95W	15M	6	7.2GT/s	Yes
E5-2630L	2.0GHz	60W	15M	6	7.2GT/s	Yes
E5-2620	2.0GHz	95W	15M	6	7.2GT/s	Yes
E5-2609	2.4GHz	80W	10M	4	6.4GT/s	NA
E5-2603	1.8GHz	80W	10M	4	6.4GT/s	NA

For information on processor installation and configuration, see the *Dell PowerEdge T620 Systems Owner's Manual* on Support.Dell.com/Manuals.

GPU support

Graphics processing unit (GPU) technology is supported on the T620, providing accelerated performance for a variety of applications including virtual desktop infrastructure (VDI) medical imaging and graphical rendering implementations.

The T620 supports up to four 300W, full-length, single- or double-wide GPU cards. Each GPU card can support up to 6GB of dedicated GDDR5 memory and is actively cooled. Each GPU card has one or two power connectors to meet the high demand for power delivery. The power connectors are located on the back of the card. See Table 7 for a list of supported GPU cards.



Table 7. GPU cards supported

GPU card	Model	Length	Height	Width	Heatsink	Power consumption
NVIDIA®	C2075	247.65mm	111mm	Double	Active	215W
	Q6000	247.65mm	111mm	Double	Active	204W
ATI™ FirePro™	V7800	242mm	111mm	Single	Active	150W

GPU configuration options

GPU cards are installed in the PCIe x16 2.0 interfaces, which are slots 2, 4, 5 and 7; slots 5 and 7 only work with two processors.

With one processor installed, two GPU cards are supported with the following restrictions:

- Slots 1, 2, 3, and 4 are available, therefore only two GPUs can be installed in slots 2 and 4
- Since double-wide GPU cards occupy two slots, only two can be installed and slots 1 and 3 are not available
- RAID cards cannot be installed with two double-wide GPU cards
- With single-wide GPU cards, the PERC H710, H710P, or H810 cannot occupy slots 1 or 3 (PERC cards have batteries that would overheat if located beside a GPU card)

With two processors installed, four GPU cards are supported, with the restrictions:

- Slots 2, 4, 5, and 7 are available
- Since double-wide GPU cards occupy two slots, slots 1, 3, and 6 are not available
- RAID cards cannot be installed with four double-wide GPU cards
- With single-wide GPU cards, the PERC H710, H710P, or H810 cannot occupy slots 1, 3, or 6 (PERCs have batteries that would overheat if located beside a GPU card)

With PCIe SSDs, two GPU cards can occupy slots 5 and 7. Slot 2 is for a PCIe SSD expander card and slot 4 cannot support a GPU card because of thermal restrictions.

Operating system support for GPUs

Some operating systems have not been validated to support GPUs. See Table 23 and Table 24 for more information on operating system support of GPUs.

Chipset

The Intel C600 chipset is implemented on the PowerEdge T620. For more information, visit Intel.com.



5 Memory

More memory options are available than ever before with the Dell™ PowerEdge™ T620—greater capacities, higher frequencies, and more flexibility. The T620 supports up to 768GB of memory (24 DIMMs) and speeds up to 1600 MT/s, providing high performance in a variety of applications. High memory density means there is no compromise when it comes to virtualization.

Increase your uptime and reduce data loss due to Dell's focus on reliability, availability, and serviceability (RAS) features. RAS aids in the rapid and accurate diagnosis of faults which require service, increasing your memory reliability. System uptime is reinforced with RAS features like memory mirroring, sparing, and many others.

In addition to supporting existing unbuffered DIMMs (UDIMM) and registered DIMMs (RDIMM), the T620 supports load reduced DIMMs (LRDIMM), which use a buffer to reduce memory loading and provide greater density, allowing for the maximum platform memory capacity.

Supported memory

Table 8 lists the memory technologies supported by the T620.

Table 8. Memory technologies supported

Feature	UDIMM	RDIMM	LRDIMM
Register	No	Yes	Yes
Buffer	No	No	Yes
Frequencies	800, 1066, 1333, or 1600MT/s	800, 1066, 1333, or 1600MT/s	1066 or 1333MT/s
Ranks supported	1 or 2	1, 2, or 4	4
Capacity per DIMM	2 or 4GB	2, 4, 8, 16, or 32GB	32GB
Maximum DIMMS per channel	2	3	3
DRAM technology	x8	x4 or x8	x4
Temperature sensor	Yes	Yes	Yes
ECC	Yes	Yes	Yes
SDDC	Yes (with advanced ECC mode)	Yes	Yes
Address parity	Yes	Yes	Yes



Table 9 lists the DIMMs supported by the T620. For the latest information on supported memory, visit Dell.com.

Table 9. DIMMs supported

Capacity (GB)	Speed (MT/s)	Type	Ranks per DIMM	Data width	SDDC support	Voltage
2	1333	RDIMM	1	x8	Advanced ECC	1.35
2	1333	UDIMM	1	x8	Advanced ECC	1.35
2	1600	RDIMM	1	x8	Advanced ECC	1.5
4	1333	RDIMM	2	x8	Advanced ECC	1.35
4	1333	RDIMM	1	x4	All modes	1.35
4	1333	UDIMM	2	x8	Advanced ECC	1.35
4	1600	RDIMM	2	x8	Advanced ECC	1.5
8	1333	RDIMM	2	x4	All modes	1.35
8	1600	RDIMM	2	x4	All modes	1.5
16	1066	RDIMM	4	x4	All modes	1.35
16	1333	RDIMM	2	x4	All modes	1.35
16	1600	RDIMM	2	x4	All modes	1.5
32	1333	LRDIMM	4	x4	All modes	1.35
32	1333	RDIMM	4	x4	All modes	1.35

Memory configurations

Flexible memory configurations are supported on the T620, ranging from capacities of 2 GB (minimum) to 768 GB (maximum). The system supports up to 12 DIMMs per processor (up to 24 DIMMs in a dual-processor configuration). The T620 has four memory channels per processor, with each channel supporting up to three DIMMs.

The T620 supports a flexible memory configuration, according to these basic rules:

- **Speed:** If DIMMs of different speeds are mixed, all channels across all processors operate at the slowest DIMM's common frequency.
- **DIMM type:** Only one type of DIMM is allowed per system: UDIMM, RDIMM, or LRDIMM. These types cannot be mixed.

The following additional memory population guidelines apply to the T620:

- Up to two quad-rank (QR) DIMMs and up to three dual-rank (DR) or single-rank (SR) DIMMs may be populated per channel.
- DIMMs must be installed in each channel, starting with the DIMM farthest from the processor.
- DIMMs should be installed with largest rank count to smallest. For example, if DR DIMMs are mixed with SR DIMMs, DR DIMMs should be placed in the lowest DIMM slots, followed by the SR DIMMs.

For more information on memory configuration, see the *Dell PowerEdge T620 Systems Owner's Manual* on Support.Dell.com/Manuals.



Memory speed

The T620 supports memory speeds of 1600 MT/s, 1333 MT/s, 1066 MT/s, and 800 MT/s, depending on the DIMM types installed and the configuration. All memory on all processors and channels run at the same speed and voltage. By default, the systems run at the highest speed for the channel with the lowest DIMM voltage and speed. The operating speed of the memory is also determined by the maximum speed supported by the processor, the speed settings in the BIOS, and the operating voltage of the system.

Table 10 lists memory configuration and performance details for the T620 based on the population of the number and type of DIMMs per memory channel.

Table 10. Memory speed capabilities

DIMM type	DIMM 0	DIMM 1	DIMM 2	Number of DIMMs	Speed (MT/s)			
					800	1066	1333	1600
UDIMM	SR			1	•	•	•	
	DR			1	•	•	•	
	SR	SR		2	•	•	•	
	SR	DR		2	•	•	•	
	DR	DR		2	•	•	•	
RDIMM	SR			1	•	•	•	•
	DR			1	•	•	•	•
	QR			1	•	•		
	SR	SR		2	•	•	•	•
	SR	DR		2	•	•	•	
	DR	DR		2	•	•	•	•
	QR	SR		2	•			
	QR	DR		2	•			
	QR	QR		2	•			
	SR	SR	SR	3	•	•		
	SR	SR	DR	3	•	•		
	SR	DR	DR	3	•	•		
	DR	DR	DR	3	•	•		
LRDIMM	QR			1		•	•	
	QR	QR		2		•	•	
	QR	QR	QR	3		•		



Memory RAS features

Reliability, availability, serviceability (RAS) features help keep the system online and operational without significant impact to performance, and can decrease data loss and crashing due to errors. RAS aids in rapid, accurate diagnosis of faults which require service. Table 11 describes the RAS features supported on the T620.

Table 11. Memory RAS features

Feature	Description
Dense configuration optimized profile	Increased memory reliability can be a result from this selectable platform profile that adjusts parameters to reduce faults regarding refresh rates, speed, temperature and voltage
Memory demand and patrol scrubbing	Demand scrubbing is the ability to write corrected data back to the memory once a correctable error is detected on a read transaction. Patrol scrubbing proactively searches the system memory, repairing correctable errors.
Recovery from single DRAM device failure	Recovery from Single DRAM Device Failure (SDDC) provides error checking and correction that protects against any single memory chip failure as well as multi-bit errors from any portion of a single memory chip.
Failed DIMM isolation	This feature provides the ability to identify a specific failing DIMM channel pair, thereby enabling the user to replace only the failed DIMM pair
Memory mirroring: intra-socket	Memory mirroring is a method of keeping a duplicate (secondary or mirrored) copy of the contents of memory as a redundant backup for use if the primary memory fails. The mirrored copy of the memory is stored in memory of the same processor socket.
Memory address parity protection	This feature provides the ability to detect transient errors on the address lines of the DDR channel.
Memory sparing (rank)	Memory sparing allocates one rank per channel as a spare. If excessive correctable errors occur in a rank or channel, it is moved to the spare area while the operating system is running to prevent the error from causing an uncorrectable failure.
Memory thermal throttling	This feature helps to optimize power/performance and can also be used to prevent DIMMs from overheating.

For information on memory mirroring and sparing configurations, see the *Dell PowerEdge T620 Systems Owner's Manual* on [Support.Dell.com/Manuals](https://support.dell.com/manuals).



6 Storage

With comprehensive storage options, the Dell™ PowerEdge™ T620 offers the choice of drive types, internal and external storage controllers, and different chassis options depending on the drive configuration.

Features such as Express Flash PCIe solid-state drives (available Q2 2012) and CacheCade™ provide accelerated performance over previous technologies. Express Flash drives use PCIe lanes to connect directly to the processor and chipset. CacheCade uses Dell PERC storage controllers to accelerate performance over hard drives or traditional solid-state drives.

Internal storage

The T620 supports the following internal storage options:

- 3.5-inch options:
 - 4 x 3.5-inch hot-plug hard drives
 - 8 x 3.5-inch hot-plug hard drives
 - 8 x 3.5-inch hot-plug hard drives plus 4 Express Flash PCIe solid-state drives
 - 12 x 3.5-inch hot-plug hard drives
- 2.5-inch options:
 - 16 x 2.5-inch hot-plug drive bays
 - 16 + 16 x 2.5-inch hot-plug drive bays
 - 16 x 2.5-inch hot-plug drive bays plus 4 Express Flash PCIe solid-state drives
 - 32 x 2.5-inch hot-plug drive bays

Note that a system cannot be upgraded or reconfigured after point of purchase.

Supported hard drives

Table 12 lists T620 hard drive options. For additional information, see Dell.com/PowerEdge.

Table 12. Supported hard drives

Form factor	Type	Speed (rpm)	Capacities
3.5"	SATA (3Gb)	7.2K	250GB, 500GB, 1TB, 2TB
	Nearline SAS (6Gb)	7.2K	1TB, 2TB, 3TB
	SAS (6Gb)	15K	300GB, 600GB
2.5"	SATA (3Gb)	7.2K	250GB, 500GB, 1TB
	Nearline SAS (6Gb)	7.2K	500GB, 1TB
	SAS (6Gb)	10K	300GB, 600GB, 900GB
	SAS (6Gb)	15K	146GB, 300GB
	SAS SSD (SLC, 6Gb)	N/A	200GB, 400GB
	SATA SSD (MLC, 3Gb)	N/A	100GB, 200GB
	Express Flash PCIe SSD (SLC) ¹	N/A	175GB, 350GB

¹Available Q2 2012



Express Flash drives

Express Flash drives (available Q2 2012) use PCIe and SSD technologies to provide performance, scalability, and optimal serviceability. Accelerated performance with high IOPs is made possible without requiring processor resources or capturing DRAM. Also, Express Flash drives use a standardized 2.5-inch hot-plug form factor that saves critical PCIe slot space by moving drives from the back to the front of the system and allows a common management process for all drives.

The PowerEdge T620 has an option to support up to four 2.5-inch, hot-plug Express Flash drives with capacities of 175GB or 350GB. These drives can be configured to RAID 0 or RAID 1 through the OS RAID option.

Only the 8- or 16-drive bay chassis option supports Express Flash drives, and the T620 system must also have two processors, six system fans, and one removable media storage device. For additional configuration requirements, contact your Dell sales representative.

External storage

The T620 supports the external storage devices types listed in Table 13. For additional information, visit Dell.com/Storage.

Table 13. Supported external storage

Device type	Description
External tape	ML6000
	TL4000
	TL2000
	124T
	114X
	LTO5 SAS
	LTO4 HH SAS
	LTO3-060 SCSI
	RD1000 USB
PowerVault NAS	Supports connection to current PowerVault NAS products
PowerVault DAS	Supports connection to current PowerVault DAS (including JBOD and RBOD enclosures) products
PowerVault SAN	Supports connection to current PowerVault SAN (including EqualLogic™ iSCSI, Dell EMC arrays and JBOD disk enclosures) products
PowerVault IDM	Supports connection to current PowerVault IDM (archive solutions, de-dup, B2D and data protection appliances) products



Storage controllers

Dell provides highly capable RAID options for you to ensure that your data remains safe. Dell's RAID controller options offer impressive performance improvements, including the following features:

- **FastPath™ I/O:** This feature can help accelerate performance when operating on SSDs.
- **Split mirror:** This function allows you to break mirrored disk connection in order to quickly replace a drive.
- **Physical disk power management (Dimmer Switch™):** This feature allows for power control of spare or idle drives, which can save energy and operating expenses.

Supported RAID controllers

The newest line of PERC (PowerEdge RAID Controller) cards offers high I/O performance for database applications and streaming digital media environments. The T620 supports the new PERC 8 family of controllers, adapter form factor only, with improved functionality and faster performance. The T620 also supports the new software RAID solution that supports RAID 0, 1, 5, and 10. The T620 supports the PERC cards listed in Table 14.

Table 14. RAID controllers

Controller	Description	Features	RAID modes	Form factor	Usage model
PERC H810 External	Eight-port, external and 6Gp/s PCIe RAID controller that supports up to 192 SATA and SAS hard drives or SSDs	Includes 1GB NV DDR3 cache, premium performance and feature set, security SED/EKMS, and SSD as cache	0, 1, 10, 5, 50, 6, 60	Adapter	Premium performance
PERC H710P Internal	Eight-port, internal 6Gb/s PCIe RAID controller that supports up to 32 SATA and SAS hard drives or SSDs	Includes 1GB NV DDR3 cache, premium performance and feature set, security SED/EKMS, and SSD as cache	0, 1, 10, 5, 50, 6, 60	Adapter	Premium performance
PERC H710	Eight-port, internal 6Gb/s PCIe RAID controller that supports up to 32 SATA and SAS hard drives or SSDs	Includes 512MB DDR3 cache, advanced feature set, security SED/EKMS, and SSD as cache	0, 1, 10, 5, 50, 6, 60	Adapter	Performance
PERC H310	Eight-port, internal 6Gb/s PCIe RAID that supports up to 32 SATA and SAS hard drives or SSDs	Supports hot-plug drives, expansion, tape drives, pass-thru	0, 1, 10, 5, 50	Adapter	Value
PERC S110 Software RAID	3Gb/s SATA software RAID controller that supports up to 4 physical disks or 8 virtual disks	Supports hot-plug SATA drives (4 drive maximum); no expansion; Microsoft® Windows® only	0, 1, 5, 10	Motherboard-embedded SATA	Entry-level



Table 15 lists the T620 backplane options and supported Dell PERC cards for the T620.

Table 15. Hard-drive backplane options

Backplane options	Number of hard drives	Controller	Drive types
8 x 3.5"	up to 4	PERC S110	SATA HDD/SSD
8 x 3.5"	8	PERC H310, H710, H710P	SATA HDD/SSD SAS HDD/SSD
12 x 3.5"	12	PERC H310, H710P	SATA HDD/SSD SAS HDD/SSD
16 x 2.5"	16	PERC H710, H710P	SATA HDD/SSD SAS HDD/SSD
Dual 16 x 2.5"	16 + 16	Dual PERC H710P	SATA HDD/SSD SAS HDD/SSD
Dual 16 x 2.5"	32	PERC H710P	SATA HDD/SSD SAS HDD/SSD
4 x PCIe SSD	4	PCIe interface SSD card + PERC H310, H710, H710P	Express Flash PCIe SSD ¹

¹Available Q2 2012

For more information about the latest PERC offerings, see Dell.com/PERC.

CacheCade

CacheCade is a technology that provides automated storage tiering on SSDs with the PERC H810 and H710. It works by detecting the most often accessed data and copying it over time to the CacheCade SSD(s) where that cached data is accessed directly, instead of accessing the hard disk drives. This can dramatically increase how your applications respond when they are under peak traffic times and how they perform when response time is critical.

CacheCade provides cost-effective performance scaling for database-type applications that perform lots of random reads, and saves the cost of adding extra drives.

Optical drive

The T620 8-drive and 16-drive bay chassis, without the Express Flash PCIe SSDs, support up to three media bays through one of the following options:

- Up to two SATA half-height DVD-ROM or DVD R/W drives, plus one SAS tape drive
- Up to one SATA half-height DVD-ROM or DVD R/W drives, plus one internal Dell PowerVault™ RD1000 drive and one SAS tape drive

With the Express Flash PCIe SSDs, the T620 8-drive and 16-drive bay chassis can support one optical drive, one RD1000, or one SAS tape drive.

The T620 12-drive bay supports one media bay through one of the following options:

- Up to one SATA half-height DVD-ROM or DVD R/W drive
- Up to one internal PowerVault RD1000 drive
- Up to one SAS interface tape drive



The T620 32-drive bay chassis supports one slim 12.7 mm optical drive and does not support a tape device.

Tape drive

The T620 supports a combination tape drive configuration—a single system with two drives (one PowerVault LTO drive and one PowerVault RD1000 drive). Table 16 lists the types of internal tape devices and the required interface cards for each device. For additional information, visit Dell.com/Storage.

Table 16. Tape devices supported

Tape devices	Interface cards
LTO5-140 SAS	Internal tape adapter
LTO4-120 HH SAS	Internal tape adapter
LTO3-080 SAS	Internal tape adapter
RD1000 SATA	Onboard SATA
External SAS tape	6Gb SAS HBA
External FC tape	FC HBA
External RD1000	USB



7 Networking and PCIe

The Dell™ PowerEdge™ T620 offers balanced, scalable I/O capabilities, including six integrated PCIe 3.0-capable expansion slots and one dedicated storage controller slot. Networking options for the T620 allow you to tailor your network throughput to match your application needs, enabling added I/O performance.

PCIe expansion

For information on card installation, card requirements, and slot priorities, see the *Dell PowerEdge T620 Systems Owner's Manual* on Support.Dell.com/Manuals.

PCIe slots

PCIe connectivity is integrated with the processor, and the number of processors in a system impacts the number of PCIe slots and the bandwidth of each PCIe slot. The PowerEdge T620 offers seven PCIe slots. For a T620 system with one processor, slots 1 through 4 are available. For a T620 system with two processors, all slots are available.

PCIe expansion cards

The T620 supports a variety of PCIe expansion cards. Table 17 lists the supported add-in NICs and HBAs for the T620.

Table 17. Supported NICs and HBAs

Type	Adapter
1Gb/10Gb NIC	Broadcom® 5719 Quad Port 1GbE Base-T
	Broadcom 5720 Dual Port 1GbE Base-T
	Intel® I350 Quad Port 1GbE Base-T
	Intel I350 Dual Port 1GbE Base-T
	Broadcom 57810 Dual Port 10GbE SFP+
	Broadcom 57810 Dual Port 10GbE Base-T
	Intel X540 Dual Port 10GbE Base-T
	Brocade® BR1020 Dual Port 10GbE
	QLogic® P3+ Dual Port 10GbE SFP+
	Brocade CII Dual Port 10GbE SFP+
FC4/FC8 HBA	Intel Ethernet X520-AT2-DA2
	QLogic QLE2460 Dual Port 4Gbps
	QLogic QLE2462 Single Port 4Gbps
	QLogic QLE2560 8Gbps Single Port



Type	Adapter
	QLogic QLE2562 8Gbps Dual Port
	Emulex® LPe12000 8Gbps Single Port
	Emulex LPe12002 8Gbps Dual Port
	Brocade BR815 8Gbps Single Port
	Brocade BR825 8Gbps Dual Port

Table 18 lists additional PCIe expansion cards for the T620.

Table 18. Additional supported PCIe expansion cards

Type	Adapter
PCIe bridge	PCIe bridge adapter for front-accessible, hot-plug Express Flash PCIe SSDs (available Q2 2012)

For the latest information on all supported add-in PCIe expansion cards for the T620, visit Dell.com.



8 Power, thermal, and acoustics

Lower overall system-level power draw is a result of Dell's breakthrough system design. PowerEdge servers maximize performance per watt through a combination of power and cooling, energy efficient technologies and tools. Additionally, PowerEdge servers have an extensive collection of sensors that automatically track thermal activity, which helps regulate temperature thereby reducing server noise and power consumption.

Power consumption and energy efficiency

With the rise in the cost of energy coupled with increasing data center density, Dell provides tools and technologies to help you realize greater performance with less energy cost and waste. More efficient data center usage can reduce costs by slowing the need for additional center space. Table 19 lists the tools and technologies Dell offers to help you achieve your data center goals by lowering power consumption and increasing energy efficiency.

Table 19. Power tools and technologies

Feature	Description
Power supply units (PSU) portfolio	Dell's PSU portfolio includes intelligent features such as dynamically optimizing efficiency while maintaining availability and redundancy. Find additional information in the Power supply units section.
Tools for right-sizing	<p>Energy Smart Solution Advisor (ESSA) is a tool that helps you determine the most efficient configuration possible. With ESSA, you can calculate the power consumption of your hardware, power infrastructure, and storage. ESSA can help you determine exactly how much power your server will use at a given workload, and the PSU Advisor can help you choose the best, most efficient PSU for your workload. Learn more at Dell.com/calc.</p> <p>Energy Smart Data Center Assessment is a Dell Services offering that uses infrastructure and thermal analysis to help maximize system efficiency. Learn more at Dell.com/EnergySmart.</p>
Industry compliance	Dell's servers are compliant with all relevant industry certifications and guidelines, including 80 PLUS, Climate Savers, and ENERGY STAR®.
Power monitoring accuracy	PSU power monitoring improvements include: <ul style="list-style-type: none">• Dell's power monitoring accuracy is currently 1%, whereas the industry standard is 5%• More accurate reporting of power• Better performance under a power cap
Power capping	Use Dell's systems management to set the power cap limit for your systems to limit the output of a PSU and reduce system power consumption. Dell is the first hardware vendor to leverage Intel® Node Manager for circuit-breaker fast capping.
Systems management	<p>iDRAC7 Enterprise provides server-level management that monitors, reports, and controls power consumption at the processor, memory, and system level.</p> <p>Dell™ OpenManage™ Power Center delivers group power management at the rack, row, and data center level for servers, power distribution units, and uninterruptible power supplies.</p>



Feature	Description
Active power management	<p>Intel Node Manager is an embedded technology that provides individual server-level power reporting and power limiting functionality. Dell offers a complete power management solution comprised of Intel Node Manager accessed through Dell iDRAC Enterprise and OpenManage Power Center that allows policy-based management of power and thermals at the individual server, rack and data center level.</p> <p>Hot spare reduces power consumption of redundant power supplies.</p> <p>Thermal control of fan speed optimizes the thermal settings for your environment to reduce fan consumption and lower system power consumption.</p> <p>Idle power enables Dell servers to run as efficiently when idle as when at full workload.</p>
Fresh air cooling	<p>With the thermal design and reliability of Dell products, you can have the capability to operate at excursion-based temperatures beyond the industry standard of 35°C (95°F) without impacting your availability model. This solution takes into account servers, networking, storage, and other infrastructure . Find additional information at Dell.com/FreshAir.</p>
Rack infrastructure	<p>Dell offers some of the industry's highest-efficiency power infrastructure solutions, including:</p> <ul style="list-style-type: none"> • Power distribution units (PDUs) • Uninterruptible power supplies (UPS) • Energy Smart containment rack enclosures <p>Find additional information at: http://content.dell.com/us/en/enterprise/power-and-cooling-technologies-components-rack-infrastructure.aspx.</p>

Find additional information at Dell.com/PowerAndCooling and Power.com/PowerCenter.

Power supply units

Energy Smart power supplies have intelligent features, such as the ability to dynamically optimize efficiency while maintaining availability and redundancy. Also featured are enhanced power-consumption reduction technologies, such as high-efficiency power conversion and advanced thermal-management techniques, and embedded power-management features, including high-accuracy power monitoring.

The T620 supports the following power supply units:

- 495W AC
- 750W AC
- 1100W AC
- 1100W DC (available Q2 2012)



Figure 9 shows a 750W power supply extended from the T620 chassis.

Figure 9. 750W power supply unit



The PowerEdge T620 supports up to two AC or DC power supplies with 1 + 1 redundancy, auto-sensing, and auto-switching capability.

Dell PSUs have achieved Platinum efficiency levels as shown in Table 20.

Table 20. Power supply efficiency

Form factor	Output	Class	Efficiency targets by load			
			10%	20%	50%	100%
Redundant 86mm	495W AC	Platinum	82.0%	90.0%	94.0%	91.0%
	750W AC	Platinum	82.0%	90.0%	94.0%	91.0%
	1100W AC	Platinum Plus	89.0%	93.0%	94.5%	92.0%
	1100W DC ¹	Gold	80.0%	88.0%	92.0%	88.0%

¹Available Q2 2012

Thermal and acoustics

Optimized thermal management makes the PowerEdge T620 cool and quiet. Benefiting from smart cooling fan speed control, the T620 can keep both high performance and low acoustics across a wide range of ambient temperatures from 10°C to 35°C (50°F to 95°F) and to extended ambient temperature ranges (see Table 31). A typically configured T620 is quiet enough for an office environment, and a minimally configured T620 is quiet enough for a library.

Thermal design

The thermal design of the PowerEdge T620 reflects the following:

- **Multiple sensors are monitored for thermal feedback control:** The PowerEdge T620 dynamically controls system cooling fan speed based on responses from all component temperature sensors, including processors, hard disk drives, DIMMs, storage cards, and the inlet ambient temperature. The thermal control also detects and responds to hardware configuration. The thermal



management adjusts cooling according to what the system really needs, and draws lower fan power draw and generates lower acoustical noise levels than servers without such controls.

- **Environmental specifications:** The optimized thermal management makes the T620 reliable under a wide range of operating environments. Many configurations are compliant in expanded operating temperature environments, but a few are not. For environmental specifications and for configuration limitations on expanded operating temperature environments, see Table 31 in Appendix A.

Acoustical design

The acoustical design of the PowerEdge T620 reflects the following:

- **Quiet library acoustics:** The PowerEdge T620 is quiet enough for a library when minimally configured or quiet enough for an office setting in a typical configuration.
- **Adherence to Dell's high sound quality standards:** Sound quality is different from sound power level and sound pressure level in that it describes how humans respond to annoyances in sound, like whistles, hums, and so on. One of the sound quality metrics in the Dell specification is prominence ratio of a tone, which is listed in Table 21.
- **Configurable for low acoustics:** The following are configuration considerations you should make if acoustics is important to you:
 - **Storage devices:**
 - > Because hard drive noise scales with spindle speed, the quietest option for rotational storage media is a 7200-rpm SATA drive. The loudest option is a 15k SAS drive.
 - > Solid-state drives are even quieter than rotational drives because they have no sound associated with spinning.
 - > Noise levels increase with the quantity of hard drives; using fewer hard drives will have a lower acoustical output.
 - > PCIe SSD cards, such as Fusion-io[®], require more airflow for cooling, resulting in significantly higher noise levels.
 - **Redundant fans:** Fan noise from the non-redundant, two-fan system is lower than that of the redundant, six-fan system.
 - **Impacts of cards:**
 - > Quantity of PCIe cards: When more than two PCIe cards are installed, the system fan speed/noise level will be higher.
 - > Types of PCIe cards: The fan speed/noise level will be higher if a GPU and PERC H710 is installed.
 - **System Profile settings in BIOS and Thermal settings in iDRAC7 BIOS settings:** Performance Per Watt (DAPC or OS) may be quieter than Performance or Dense Configuration (iDRAC Settings > Thermal > Max. Exhaust Temperature or Fan speed offset).
 - **Hot spare feature of power supply unit:** In system default setting, the hot spare feature is disabled; acoustical output from the power supplies is lowest in this setting.
 - **RAID Setup with PERC H310:** A system configured as non-RAID will have a higher noise level than a system configured as RAID.
- **Noise ramp and descent during bootup from power off:** Fan speed noise levels ramp during the boot process (from power off to power on) to add a layer of protection for component cooling in case the system does not boot properly. To keep the bootup process as quiet as possible, the fan speed reached during bootup is limited to about half of full speed.



Table 21 details the acoustical performance for the T620.

Table 21. Acoustical performance

Configuration (23 ± 2°C ambient)	CPUs	Hard drives	Power supply unit	Memory	PCI cards	Operating mode	L _{WA} -UL ¹ (bels)	L _{pA} ² (dBA)	Prominent tones ³
Minimum	1	1 x 3.5" 250GB SATA (7.2K)	1 x 495W	1 x 2GB	None	Idle ⁴	3.7	24	None
						Stressed ⁵	3.8	24	None
Typical	2	8 x 2.5" 300GB SAS (15K)	2 x 750W	8 x 4GB	1 x PERC H710 1 x 10GbE NIC	Idle ⁴	4.6	30	None
						Stressed ⁵	4.6	30	None

¹L_{WA}-UL is the upper limit sound power levels (L_{WA}) calculated per section 4.4.1 of ISO 9296 (1988) and measured in accordance to ISO 7779 (2010).

²L_{pA} is the average A-weighted sound pressure level from the four bystander positions calculated per section 4.3 of ISO 9296 (1988) and measured in accordance with ISO 7779 (2010). The system is placed in a half rack enclosure (base of system is 25 cm above reflective floor).

³Prominent tone: Criteria of D.6 and D.11 of ECMA-74 11th ed. (2010) are followed to determine if discrete tones are prominent. The system is placed in a half rack enclosure (base of system is 75 cm above reflective floor) and acoustic transducer is at front bystander position, ref ISO 7779 (2010 Section 8.6.2).

⁴Idle: Reference ISO 7779 (2010) definition 3.1.7; system is running in its operating system but no other specific activity.

⁵Stressed processor: An operating mode per ISO 7779 (2010) definition 3.1.6. The software SPECpower at 50% loading is activated to stress the processors.

For more information on Dell's acoustical design, see the [Dell Enterprise Acoustics](#) white paper.



9 Rack rails and cable management

The Dell™ PowerEdge™ T620 is a rackable tower server. The sliding rail system for the T620 provides toolless support for racks with square or unthreaded round mounting holes including all generations of Dell racks. Compared to the T610 sliding rails that required adapter brackets, the sliding rails for the T620 offer support for threaded hole racks with the ReadyRails™ II mounting interface. The T620 supports only sliding rails; static rails not supported.

The optional cable management arm (CMA) can be mounted on either the left or right side of the sliding rails without the use of tools for fast and easy deployment.

Sliding rail system

The sliding rail system allows you to fully extend the server out the rack for easy access for service. The rails ship in the toolless mounting configuration, but can be converted to the tooled configuration very quickly and easily.

The sliding rails are available with or without the optional CMA. Figure 10 shows the sliding rails with the optional CMA.

Figure 10. Sliding rails with optional CMA

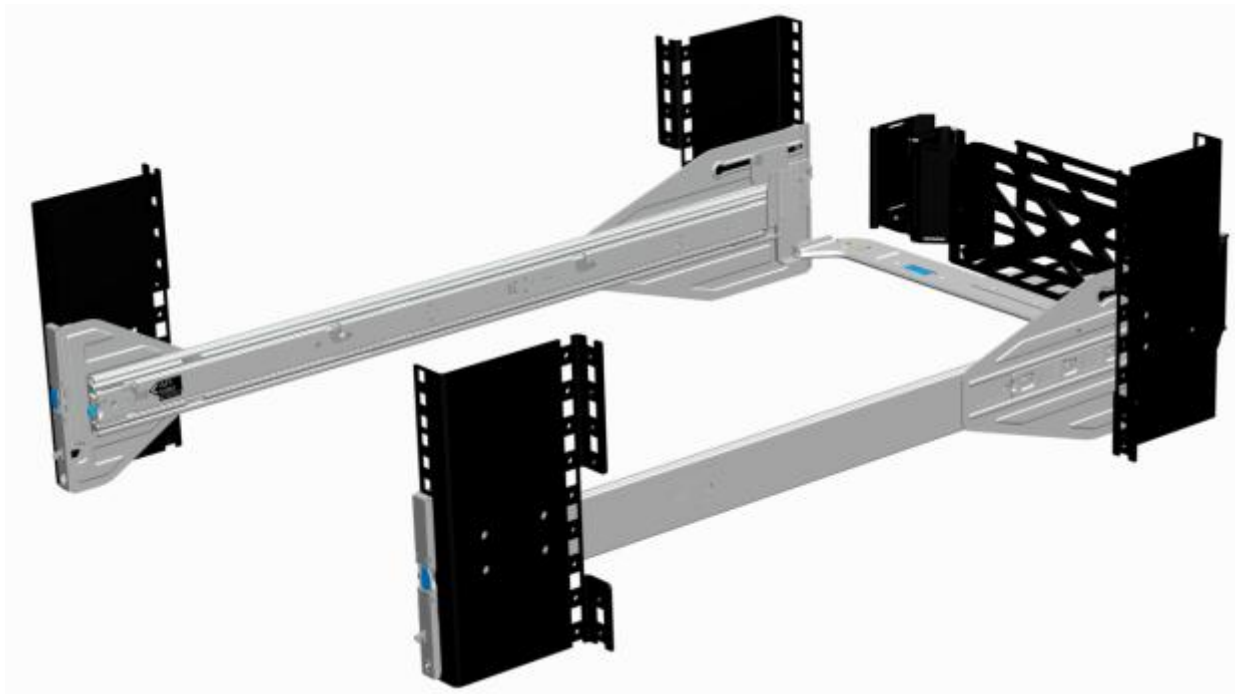


Table 22 lists the rack type supported by the T620 rails. The T620 does not support mounting in a 2-post rack.

Table 22. T620 supported rack rail system

System	Rail identifier	Mounting interface	Rail type	Rack types supported				
				4-post			2-post	
				Square	Round	Thread	Flush	Center
T620	C2	ReadyRails II	Sliding	✓	✓	✓	X	X

For detailed information about static and sliding rails, see the Rack rail specifications section in Appendix A. For more information on installing the T620 in a rack, see the *Rack Installation Instructions* on [Support.Dell.com/Manuals](https://support.dell.com/manuals).

Cable management arm

The optional CMA organizes and secures the cords and cables exiting the back of the server and unfolds to allow the server to extend out of the rack without having to detach the cables. Some key features of the T620 CMA include:

- Large U-shaped baskets to support dense cable loads
- Open vent pattern for optimal airflow
- Ability to be mounted on either side
- Use of hook-and-loop straps rather than plastic tie wraps to eliminate the risk of cable damage during cycling
- Low-profile fixed tray to both support and retain the CMA in its fully closed position
- Ability to mount the CMA and tray without the use of tools, due to snap-in designs



10 Operating systems and virtualization

The Dell™ PowerEdge™ T620 supports a wide range of industry-standard operating systems and virtualization software.

Supported operating systems

Table 23 lists the primary operating systems supported on the T620. For the latest information on supported operating systems, see Dell.com/OSsupport.

Table 23. Primary operating system support

Operating System	Platform	Edition
Red Hat® Enterprise Linux® 5.7	x32, x64	N/A
Red Hat Enterprise Linux 6.1	x64	N/A
SUSE® Linux Enterprise Server 11 SP2	x64	N/A
SUSE Linux Enterprise Server 10 SP4	x64	N/A
Microsoft® Windows® Small Business Server 2011¹	x64	Standard Premium Add-on
Windows Server® 2008 SP2	X86	Web Standard Enterprise
	x64 (with Microsoft Hyper-V™ role enabled)	Web Standard Enterprise Datacenter
Windows Server 2008 R2 with SP1	x64 (with Hyper-V role enabled)	Web Standard Enterprise Datacenter

¹Not validated for use with GPUs

Support of the operating systems listed in Table 24 is limited to a virtual environment as a guest operating system. Please contact the software vendor for additional support or questions about running the operating system in a virtualized environment.

Table 24. Virtual guest operating system support

Operating System	Platform	Edition
Microsoft Windows 2003¹	x86	Web
Microsoft Windows 2003 R2 with SP2¹	x86	Standard Enterprise
	x64	Standard Enterprise Datacenter

¹Not validated for use with AMD GPUs



Supported virtualization

One of the key features for virtualization on the T620 is the support for a fail-safe hypervisor. By running a hypervisor on an optional SD card and installing a backup copy on the other mirrored SD card, you can protect against hardware failure and maximize virtualization uptime.

Table 25 highlights the virtualization support for the T620.

Table 25. Virtualization support

Operating systems	Version	Options	
VMware^{®1}	vSphere [®] v4.1 U2	ESX [®] Classic	DIB
	vSphere v4.1 U2	ESXi [®] Installable	DIB
	vSphere v4.1 U2	ESXi Embedded	FI
	vSphere v5.0	ESXi (one version)	DIB
	vSphere v5.0 U1 ²	ESXi (one version)	FI/DIB
Citrix[®]	XenServer [®] 6.0	N/A	DIB

FI = factory install; DIB = drop in box

¹vSphere Fault Tolerance is supported with these versions

²Available Q2 2012



11 Dell OpenManage systems management

Whether your IT environment consists of a few servers or a few thousand servers, Dell™ OpenManage™ systems management solutions provide comprehensive management for evolving IT environments. OpenManage is based on open standards and provides agent-based and agent-free server lifecycle management functionality for Dell PowerEdge™ servers. OpenManage solutions help you automate and streamline essential hardware management tasks.

The advanced management capabilities of Dell OpenManage also integrates into offerings from other popular systems management solutions that you may already use, making Dell platforms easy to manage and deploy in any IT environment. This ensures your IT services are available when your business needs them. If you have already standardized on offerings from industry leaders, such as BMC Software, Microsoft, Symantec, VMware, or other vendors, you can leverage OpenManage integration and connections developed for use with your existing systems management framework to efficiently manage Dell servers, storage, business-client PCs, and network devices.

Start with a firm foundation for efficient hardware management using OpenManage tools, utilities, and management consoles. OpenManage systems management solutions consist of a combination of embedded management features and software products that help you automate and simplify the entire server lifecycle: deploy, update, monitor, and maintain. OpenManage solutions are innovatively designed for simplicity and ease of use to help you reduce complexity, save time, achieve efficiency, control costs, and empower productivity.

Systems management solutions

Dell systems management solutions include a wide variety of tools, products, and services that enable you to leverage an existing systems management framework. As shown in Figure 11, Dell systems management solutions are centered around OpenManage server management, featuring iDRAC with Lifecycle Controller.

Figure 11. Dell systems management solutions



OpenManage systems management

The Dell OpenManage systems management portfolio includes powerful hardware and software management tools and consoles. OpenManage simplifies the lifecycle of deploying, updating, monitoring, and maintaining your Dell PowerEdge servers.

iDRAC7 with Lifecycle Controller

The Integrated Dell Remote Access Controller 7 (iDRAC7) with Lifecycle Controller is the heart of Dell's second generation of Dell PowerEdge server embedded management functionality. In addition to enabling agent-free management, iDRAC7 with Lifecycle Controller provides remote access to the system—whether or not there is a functioning operating system running on the server. These embedded features improve all aspects of a typical server lifecycle. Table 26 describes the functions and benefits of iDRAC7 with Lifecycle Controller.

Table 26. iDRAC7 with Lifecycle Controller functions and benefits

Feature	Function	Benefit
Out of band (OOB)	iDRAC7 offers real-time, agent-free OOB monitoring, inventory, and alerting for servers, direct-attach storage, and network cards	Receive hardware notifications and email alerts, independent of the OS or hypervisor type or status—even if an OS or hypervisor is not installed
Single code base	All server types have the same embedded management hardware and firmware	Simplified and consistent maintenance across server platforms
Dedicated GigE port (PowerEdge rack and tower systems)	Gigabit Ethernet replaces 10/100 on predecessor iDRAC6	Fast throughput for better performance; compatibility with setup for switches
Email alerts	Simplified, more informative, and expanded coverage than previous versions of iDRAC	Explicit, detailed information allows IT administrators to be more efficient in diagnosing and remediating an issue; an embedded URL in e-mail alert notifications enables launch to iDRAC7 GUI or virtual console
vFlash media	Enabled with iDRAC7 Enterprise	Allows for use of a non-Dell SD card
Enhanced power management	Integration with Intel Node Manager provides data center level power monitoring and capping (requires iDRAC7 Enterprise)	Fine tune data center power usage and report on historical power usage by rack, row or room using OpenManage Power Center
Electronic licensing	To obtain a software license key for iDRAC7 Express or iDRAC7 Enterprise after server purchase, submit a request to purchase a software license key through the Dell Licensing Portal or with a Dell sales representative	New systems come with digital license installed in the factory; free 30-day trial versions are available; uses a license management portal versus paper-based licenses to simplify license management



iDRAC feature comparison

iDRAC7 Enterprise is available for the PowerEdge T620, and Dell also offers an option of iDRAC7 Express. A detailed feature comparison for iDRAC7 Enterprise and iDRAC7 Express is shown in Table 27.

Table 27. Feature comparison for iDRAC7 Express and Enterprise

Feature (function)	iDRAC7 Enterprise	iDRAC7 Express
Local configuration with USC	•	•
IPMI 2.0	•	•
Embedded diagnostics	•	•
Local OS install	•	•
Local updates	•	•
Driver pack	•	•
Shared NIC (LOM)	•	•
Remote update	•	•
Power control	•	•
Encryption	•	•
Crash screen capture ¹	•	•
IPv6	•	•
Auto-discovery	•	•
Auto-recovery	•	•
Web GUI	•	•
Remote CLI	•	•
Local/SSH CLI	•	•
Serial redirection	•	•
Remote configuration	•	•
Email alerts	•	•
SNMP alerts	•	•
Power monitoring	•	•
Comprehensive monitoring	•	•
Dedicated NIC 1Gbps (100MB in iDRAC6)	•	
Part replacement	•	
Backup and restore configurations	•	
Virtual console (4 user)	•	
Virtual console chat	•	
Support for customer-supplied SD cards for vFlash media	•	



Feature (function)	iDRAC7 Enterprise	iDRAC7 Express
Virtual flash partitions	•	
Virtual media	•	
Virtual folders	•	
Remote file share	•	
Crash video playback	•	
Boot record/playback	•	
Power capping	•	
Enterprise group power management	•	
Directory services (AD, LDAP)	•	
PK authentication	•	
Two-factor authentication ²	•	

¹Requires OMSA agent on target server; ²Uses Microsoft® ActiveX® on Internet Explorer® only

Agent-based management

Most systems management solutions require pieces of software, called agents, to be installed on each node in order to be managed within the IT environment. Additionally, the same agent is often used as a local interface into the hardware health and may be accessed remotely as a management interface, typically referred to as a one-to-one (1:1) interface. Dell provides OpenManage Server Administrator for customers who continue to use agent-based solutions.

OpenManage Server Administrator

The Dell OpenManage Server Administrator (OMSA) agent gives you a comprehensive, one-to-one systems management solution for both local and remote servers and their storage. OMSA can help simplify single-server monitoring with a secure command-line interface (CLI) or Web-based management graphical user interface (GUI). It can also be used to view system configuration, inventory, health, and performance.

Agent-free management

Because Dell PowerEdge servers have embedded server lifecycle management, in many cases, there is no need to install an OpenManage systems management software agent into the operating system of a Dell PowerEdge server. This greatly simplifies and streamlines the management footprint.

Dell consoles

The central console in a systems management solution is often referred to as the one-to-many (1:M) console. The central console provides a rapid view and insight into the overall health of all systems in the IT environment. The Dell systems management portfolio includes several powerful consoles, depending upon your needs, including the following:

- **Dell OpenManage Essentials**—OpenManage Essentials (OME) is a recently released systems management console that provides a comprehensive view of Dell systems, devices, and components in an enterprise network. It is used to monitor Dell PowerEdge servers, EqualLogic™ and PowerVault™ storage, and PowerConnect™ switches; to update and configure Dell servers; and to create asset reports. OpenManage Essentials also communicates health status alerts for



Dell servers, storage, and network devices to the Dell KACE™ K1000 service desk. OpenManage Essentials is available as a no-charge software download from Support.Dell.com.

- **Dell Management Console**—Dell Management Console (DMC) offers sophisticated data-center management capabilities with comprehensive reporting features. DMC can perform basic hardware management and can manage operating systems and applications using various plug-ins from Symantec.
- **Dell IT Assistant**—Dell IT Assistant (ITA) is a console for managing Dell servers, storage arrays, and other components distributed throughout a network. Dell IT Assistant allows for easy identification of system issues through alerts, helping to reduce system downtime. Systems administrators can easily monitor systems anywhere within their network using ITA. ITA is supported on the T620, however, enhanced functionality is now available with OpenManage Essentials.

OpenManage systems management tools and utilities

Dell OpenManage systems management tools and utilities consist of the following:

- **Dell Repository Manager**—The Dell Repository Manager (RM) is a standalone GUI-based productivity tool that helps simplify the process of managing downloads and baseline BIOS, firmware, and driver updates. Repository Manager can create deployment disks as well as create and manage customized repositories.
- **Dell OpenManage Server Update Utility**—The Dell Server Update Utility (SUU) is a DVD-based application for identifying and applying BIOS and firmware updates to your Dell PowerEdge servers.
- **Dell OpenManage Systems Build and Update Utility**—The Dell System Build and Update Utility (SBUU) provides one-to-one and one-to-many deployment and single-server update capabilities in the pre-operating system environment.
- **Dell Update Packages**—The Dell Update Packages (DUP) is a self-contained executable in a standard package format that updates a software element on a Dell server such as the BIOS, a driver, firmware and other software updates.
- **Dell OpenManage Deployment Toolkit**—The Dell OpenManage Deployment Toolkit (DTK) is a CLI-based tool that includes a set of utilities for configuring and deploying Dell PowerEdge systems, and can be used to build scripted, unattended OS installations to deploy large numbers of servers in a reliable fashion.
- **RACADM**—The RACADM command-line utility provides a scriptable interface that allows you to locally or remotely configure iDRAC7.
- **IPMITool**—IPMITool includes scriptable console application programs used to control and manage remote systems using the IPMI version 1.5 and later protocol.

Integration with third-party consoles

Dell OpenManage easily integrates with several leading third-party consoles, including:

- **Dell Server Management Pack Suite for Microsoft System Center Operations Manager (SCOM)**—This suite of server management packs enables several functions through System Center Operations Manager, including in-band discovery and monitoring of racks and towers, out-of-band discovery and monitoring through iDRAC with Lifecycle Controller, as well as performance and advanced monitoring.
- **Dell Lifecycle Controller Integration (DLCI) for Microsoft System Center Configuration Manager (SCCM)**—This pack contains Dell Lifecycle Controller Integration (DLCI), which integrates OpenManage functions in SCCM to manage the Dell PowerEdge servers, including



auto-discovery, operating system deployment and configuration of hardware elements, (RAID, NIC, BIOS, iDRAC), OS and hypervisor agnostic updates, firmware management, and system viewer utilities.

- **Dell Server PRO Management Pack for Microsoft System Center Virtual Machine Manager (SCVMM)**—This pack manages Dell physical servers and hosts of virtual machines (VMs) by using Microsoft System Center Operations Manager/System Center Essentials (SCOM/SCE) and System Center Virtual Machine Manager (SCVMM). It provides guidance for remedial actions based on alerts to best manage virtual machines and handle the impacts appropriately.
- **Dell Management Plug-in for VMware® vCenter™**—This plug-in allows IT administrators to monitor, provision, and manage the physical PowerEdge server hardware and firmware from a dedicated Dell menu accessed through the VMware vCenter console using the same role-based access control model as vCenter, combining physical server management.
- **BMC Software**—Dell and BMC Software work together to simplify IT by ensuring tight integration between Dell server, storage, and network management functionality and the BMC Software process and data center automation products.

OpenManage Connections with third-party consoles

Dell OpenManage provides connections with many third-party consoles, including:

- **Dell OpenManage Connection for Computer Associates Network and Systems Management**—This connection allows you to monitor PowerEdge servers and PowerVault storage arrays from within the Computer Associates Network and Systems Management (CANSM) console.
- **Dell OpenManage Connection for HP Operations Manager**—This connection enables several functions through HP Operations Manager, including auto-grouping, SNMP trap reception, global health monitoring, and a context-sensitive launch of OpenManage Server Administrator.
- **Dell OpenManage Connection for IBM® Tivoli® Netcool/OMNIBus**—This connection provides event monitoring capabilities to monitor Dell PowerEdge servers and Dell EqualLogic systems. It allows event monitoring, automatic event correlation, and launching device consoles from the Netcool/OMNIBus console.

Dell server management operations

Dell OpenManage systems management is centered on automating the server management lifecycle—Deploy, Update, Monitor, and Maintain. To manage an infrastructure properly and efficiently, you must perform all of these functions easily and quickly. iDRAC7 with Lifecycle Controller technology provides you with these intelligent capabilities embedded within the server infrastructure. This allows you to invest more time and energy on business improvements and less on maintenance. Figure 12 illustrates the various operations that can be performed during the server's lifecycle.



Figure 12. Systems management server lifecycle

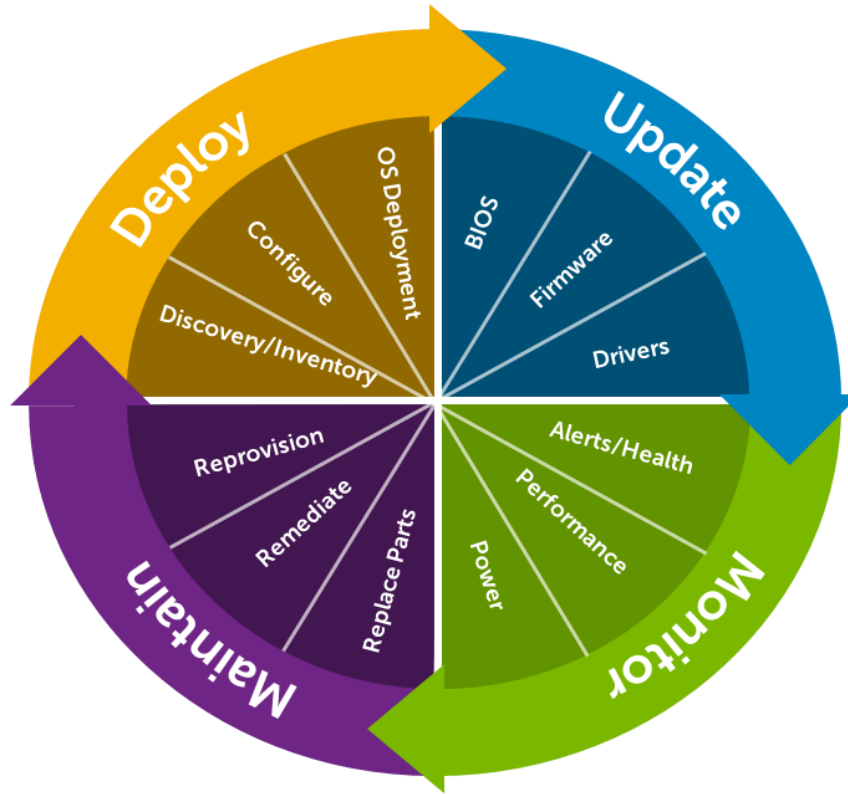


Table 28 lists the products that are available for one-to-one and one-to-many operations, and when they are used in the server’s lifecycle.

Table 28. One-to-one and one-to-many operations

Operation	One-to-one	One-to-many	
Deploy	<ul style="list-style-type: none"> • Lifecycle Controller GUI • DTK • SBUU 	<ul style="list-style-type: none"> • Symantec Deployment Server • Dell Management Plug-in for VMware vCenter • Dell KACE K1000 Appliance • Lifecycle Controller Remote Services • BMC BladeLogic integration with Lifecycle Controller 	<ul style="list-style-type: none"> • Dell Server Deployment Pack (DSDP) for Microsoft System Center Configuration Manager and Dell Lifecycle Controller Integration (DLCI) for Microsoft System Center Configuration Manager
Update	<ul style="list-style-type: none"> • iDRAC7 with LifeCycle Controller • Lifecycle Controller GUI • Repository Manager • DUP • SUU • SBUU • Dell Management Plug-in for VMware vCenter 	<ul style="list-style-type: none"> • Dell OpenManage Essentials • Dell OpenManage ITA • Dell Management Console • Lifecycle Controller Remote Services 	<ul style="list-style-type: none"> • Dell Update Catalogs for Microsoft System Center Configuration Manager • Dell Lifecycle Controller Integration (DLCI) for Microsoft System Center Configuration Manager



Operation	One-to-one	One-to-many
Monitor	<ul style="list-style-type: none"> iDRAC7 OMSA 	<ul style="list-style-type: none"> Dell OpenManage Essentials Dell OpenManage ITA BMC ProactiveNet Performance Management Dell OpenManage Power Center Dell Management Console
Maintain	<ul style="list-style-type: none"> iDRAC7 Lifecycle Controller GUI 	<ul style="list-style-type: none"> Lifecycle Controller Remote Services
		Remediate: <ul style="list-style-type: none"> Dell Server PRO Management Pack for Microsoft System Center Virtual Machine Manager (SCVMM) Replace parts: <ul style="list-style-type: none"> Dell Lifecycle Controller Integration (DLCI) for Microsoft System Center Configuration Manager

For additional detailed information on Dell's systems management portfolio, see the *Dell Systems Management Overview Guide* on Support.Dell.com/Manuals.

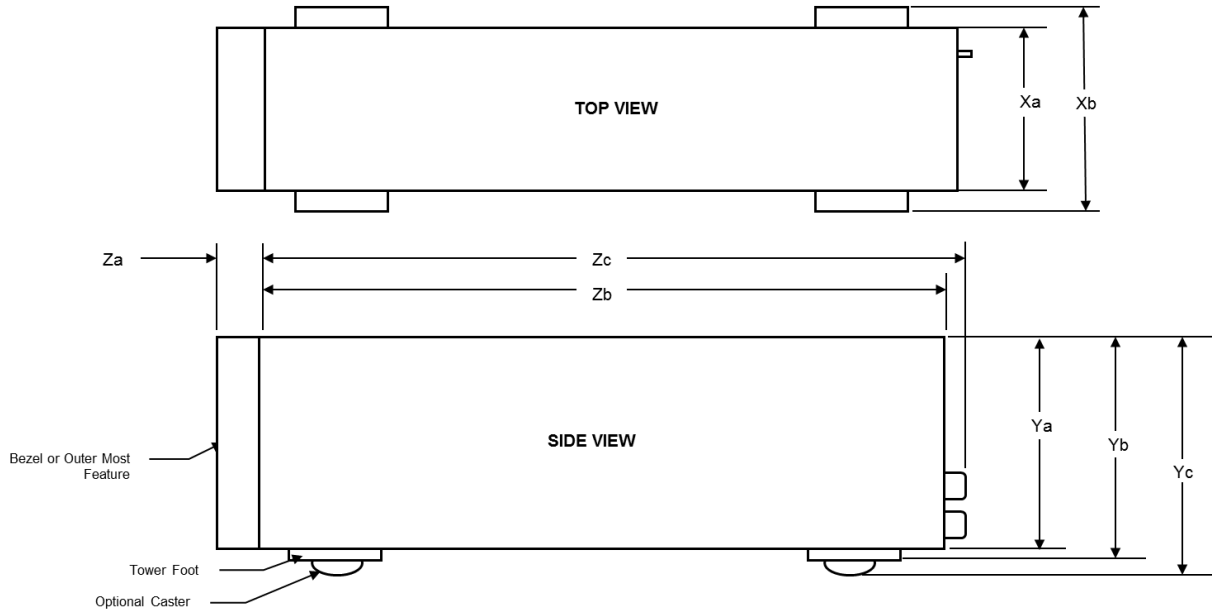


Appendix A. Additional specifications and options

Chassis dimensions

Figure 13 details the dimensions of the Dell™ PowerEdge™ T620 chassis.

Figure 13. Tower and rack chassis dimensions



Chassis type	Xa	Xb	Ya	Yb	Yc	Za with bezel	Za without bezel	Zb ¹	Zc
Tower	217.9mm	304.5mm	434.5mm	443.5mm	471.5mm	15.9mm	0.0mm	659.9mm	692.8mm
Rack	482.4mm	434.5mm	217.9mm	n/a	n/a	37.3mm	21.4mm	638.5mm	671.4mm

¹Zb goes to the nominal back wall external surface where the motherboard I/O connectors reside.

Chassis weight

Table 29 lists the weight of the T620 chassis at maximum configuration.

Table 29. Tower and rack chassis weight

Chassis type	Chassis configuration	Weight
Tower	8-drive bay	43.3Kg (95.5lb)
	12-drive bay	45.0Kg (99.2lb)
	16-drive bay	39.7Kg (87.6lb)
	32-drive bay	41.8Kg (92.2lb)
Rack	3.5-inch drive bay	43.1Kg (94.8lb)
	2.5-inch drive bay	39.9Kg (87.8lb)



Power supply specifications

Table 30 lists power supply specifications for the PowerEdge T620.

Table 30. Power supply specifications

Specification	1100W DC	1100W AC	750W AC	495W AC
Current consumption	32A (X2)	12A–6.5A	10A–5A	6.5A–3A
Supply voltage	-48V to -60V de CC	100–240VAC ¹	100–240VAC ¹	100–240VAC ¹
Frequency	-48V to -60V de CC	50/60Hz	50/60Hz	50/60Hz
Heat dissipation (BTU/hr max)	4416	4100	2891	1908

¹Auto-ranging

Environmental specifications

Table 31 details the environmental specifications for the T620. For the most up-to-date information, see the *Dell PowerEdge T620 Systems Owner's Manual* and the *Dell PowerEdge T620 Getting Started Guide* on Support.Dell.com/Manuals. For additional information about environmental measurements for specific system configurations, see www.dell.com/environmental_datasheets.

Table 31. Environmental specifications

Temperature	
Continuous operation	10°C to 35°C at 10% to 80% relative humidity (RH), with 26°C max dew point. De-rate maximum allowable dry bulb temperature at 1°C per 300m above 900m (1°F per 550 ft).
Expanded operation	<p>When operating in the expanded temperature range, system performance may be impacted, and ambient temperature warnings may be reported on the LCD and in the System Event Log.</p> <p>≤ 10% of annual operating hours: 5°C to 40°C at 5% to 85% RH with 26°C dew point. Outside the standard operating temperature (10°C to 35°C), the system can operate down to 5°C or up to 40°C for a maximum of 10% of its annual operating hours. For temperatures between 35°C and 40°C, de-rate maximum allowable dry bulb temperature by 1°C per 175m above 950m (1°F per 319 ft).</p> <p>≤ 1% of annual operating hours: -5°C to 45°C at 5% to 90% RH with 26°C dew point. Outside the standard operating temperature (10°C to 35°C), the system can operate down to -5°C or up to 45°C for a maximum of 1% of its annual operating hours. For temperatures between 40°C and 45°C, de-rate maximum allowable dry bulb temperature by 1°C per 125m above 950m (1°F per 228 ft).</p> <p>Expanded operation restrictions:</p> <ul style="list-style-type: none"> • System must have six fans • No cold startup below 5°C • Maximum altitude for the operating temperature must be 3050m (10,000ft) • Express Flash PCIe SSDs, GPUs, and LRDIMMs not supported • 130W 4-core processor, 135W processors, and 150W processors not supported • Non-redundant power supplies not supported • Non Dell qualified peripheral cards and peripheral cards greater than 25W not supported
Storage	-40°C to 65°C (-40°F to 149°F) with a maximum temperature gradation of 20°C per hour



Relative humidity	
Operating	20% to 80% (noncondensing) at a maximum wet bulb temperature of 29°C (84.2°F)
Storage	5% to 95% at a maximum wet bulb temperature of 38°C (100.4°F)
Maximum vibration	
Operating	0.26 Grms at 5-350Hz in all orientations
Storage	1.87 Grms at 10-500Hz for 15 min (all six sides tested)
Maximum shock	
Operating	Half sine shock in all operational orientations of 31G +/- 5% with a pulse duration of 2.6 ms +/- 10%
Storage	Half sine shock on all six sides of 71G +/- 5% with a pulse duration of 2 ms +/- 10%; square wave shock on all six sides of 27G with velocity change at 235 in/sec or greater
Altitude	
Operating	-15.2 to 3048m (-50 to 10,000 ft); for altitudes above 2950 ft, the maximum operating temperature is de-rated 1°F/550 ft
Storage	-15.2 to 10,668m (-50 to 35,000 ft)
Airborne contaminant level	
Class G2 or lower as defined by ISA-S71.04-1985	

Video specifications

The Dell PowerEdge T620 iDRAC incorporates an integrated video subsystem connected to the PCH through the PCIe and internal PCIe switch and PCIe to PCI-bridge. The graphics controller is the 2D Matrox G200. The video frame buffer (16MB) is contained within the iDRAC RAM (256MB) device. Front access video is available for rack mount chassis.

The T620 system supports the 2D graphics video modes listed in Table 32.

Table 32. Supported video modes

Port	Resolution	Refresh rate (Hz)	Color depth (bit)
Back VGA port	640 x 480	60, 70	8, 16, 32
	800 x 600	60, 75	8, 16, 32
	1024 x 768	60, 75	8, 16, 32
	1152 x 864	60, 75	8, 16, 32
	1280 x 1024	60	8, 16, 32
Front VGA port	640 x 480	60, 70	8, 16, 32
	800 x 600	60, 75	8, 16, 32
	1024 x 768	60	8, 16, 32



Rack rail specifications

Table 33 lists the spacing dimensions for the T620 sliding rails.

Table 33. Rail adjustability range

System	Rail Identifier	Rail Type	Rail Adjustability Range (mm)						Rail Depth (mm)	
			Square		Round		Threaded		without CMA	with CMA
			Min	Max	Min	Max	Min	Max		
T620	C2	Sliding	686	756	672	749	686	771	760	840

USB peripherals

USB peripherals are supported through the front and back USB ports on the T620. These ports are USB 2.0 compliant.



Appendix B. Standards compliance

The Dell™ PowerEdge™ T620 conforms to the industry standards listed in Table 34.

Table 34. Industry standard documents

Standard	URL for information and specifications
ACPI Advance Configuration and Power Interface Specification, v2.0c	www.acpi.info/
Ethernet IEEE 802.3-2005	standards.ieee.org/getieee802/802.3.html
HDG Hardware Design Guide Version 3.0 for Microsoft Windows Server	www.microsoft.com/whdc/system/platform/pcdesign/designguide/serverdgm.aspx
IPMI Intelligent Platform Management Interface, v2.0	www.intel.com/design/servers/ipmi/
DDR3 Memory DDR3 SDRAM Specification, Rev. 3A	www.jedec.org/download/search/JESD79-3C.pdf
LPC Low Pin Count Interface Specification, Rev. 1.1	developer.intel.com/design/chipsets/industry/lpc.htm
PCI Express PCI Express Base Specification Rev. 2.0 and 3.0	www.pcisig.com/specifications/pciexpress/
PMBus Power System Management Protocol Specification, v1.2	pmbus.info/specs.html
SAS Serial Attached SCSI, v1.1	www.t10.org/ftp/t10/drafts/sas1/sas1r10.pdf
SATA Serial ATA Rev. 2.6; SATA II, SATA 1.0a Extensions, Rev. 1.2	www.sata-io.org/secure/spec_download.asp www.sata-io.org/docs/S2Ext_1_2_Gold.pdf
SMBIOS System Management BIOS Reference Specification, v2.7	www.dmtf.org/standards/smbios/
TPM Trusted Platform Module Specification, v1.2	www.trustedcomputinggroup.org/downloads/specifications/tpm/tpm
UEFI Unified Extensible Firmware Interface Specification, v2.1	www.uefi.org/specs/
USB Universal Serial Bus Specification, Rev. 2.0	www.usb.org/developers/docs/
Windows Logo Windows Logo Program System and Device Requirements, v3.10	www.microsoft.com/whdc/winlogo/hwrequirements.msp



Appendix C. Additional resources

Table 35 provides a list of documents and websites that provide for more information on the Dell™ PowerEdge™ T620.

Table 35. Additional resources

Resource	Description of contents	Location
PowerEdge T620 System Owner's Manual	<p>This manual is provided in HTML format on the CD provided with the T620 system, and also in HTML and PDF format at the Dell support site. A printed version is available in Asian languages as a customer-orderable option. This manual provides information on the following:</p> <ul style="list-style-type: none"> • Chassis features • System Setup program • System messages • System codes and indicators • System BIOS • Remove and replace procedures • Troubleshooting • Diagnostics • Jumpers and connectors 	Support.Dell.com/Manuals
PowerEdge T620 Getting Started Guide	<p>This guide is printed and shipped with the system, and is also available in PDF format on the Dell support site. This guide provides information on the following:</p> <ul style="list-style-type: none"> • Initial setup steps • Key system features • Technical specifications 	Support.Dell.com/Manuals
Rack Installation Instructions	This printed document is provided with the rack kits. The document provides the instructions for installing the server in a rack.	Support.Dell.com/Manuals
Cable Management Arm Installation Instructions	This printed document is provided with the rack kits. The document provides the instructions for installing the cable management arm on the rack.	Support.Dell.com/Manuals
Information Update	This document is printed and shipped with the system, and is also available in PDF format on the Dell support site. This document provides information on system updates.	Support.Dell.com/Manuals
System Information Label	The system information label documents the system board layout and system jumper settings. Text is minimized due to space limitations and translation considerations. The label size is standardized across platforms.	Inside the system chassis cover
Quick Resource Locator (QRL)	This code on the chassis can be scanned by a phone application to access additional information and resources for the server, including videos, reference materials, service tag information, and Dell contact information.	Inside the system chassis cover



Resource	Description of contents	Location
Dell Energy Smart Data Center Assessment	This tool uses infrastructure and thermal analysis to help maximize system efficiency.	Dell.com/EnergySmart
Energy Smart Solution Advisor	The Dell online Energy Smart Solution Advisor (ESSA) enables easier and more meaningful estimates to help you determine the most efficient configuration possible. Use ESSA to calculate the power consumption of your hardware, power infrastructure, and storage.	Dell.com/ESSA
Power and cooling technologies	Provides details for improving energy efficiency in the data center.	Dell.com/PNC
Energy management	Provides information on Dell's fresh air cooling solutions.	Dell.com/FreshAir
Operating system matrix for Dell PowerEdge systems	Provides updated information on which operating systems are available on which PowerEdge systems.	Dell.com/OSsupport
Processor and chipset	Provides more information about the T620 processors and chipset.	Intel.com
Dell PowerEdge RAID controllers	Provides more information on Dell PowerEdge RAID controllers (PERC).	Dell.com/PERC
Power distribution unit	Provides help selecting a rack-based power distribution unit (rPDU).	DellPDU.com
Uninterruptible power supply	Provides help selecting an uninterruptible power supply (UPS) model.	DellUPS.com
Volatility information	Contact your Dell sales representative.	Dell.com
Dell Enterprise Acoustics	White paper that explores the mechanisms of, people's reaction to, language of, and Dell's work to control noise from Enterprise products.	www.dell.com/downloads/global/products/pedge/en/acoustical-education-dell-enterprise-white-paper.pdf

